

Pipe Granulator

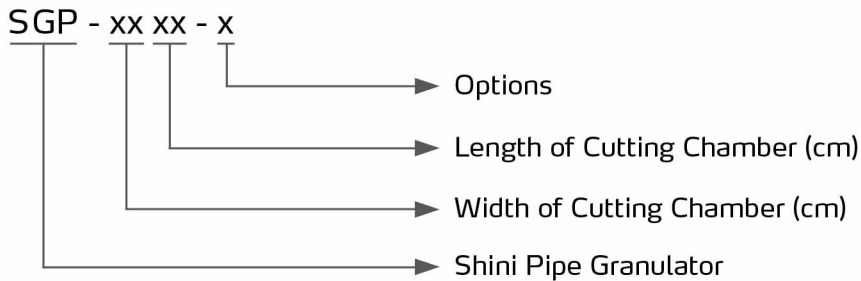
SGP-4050



Refer carefully to this manual before operation.

SGP Series

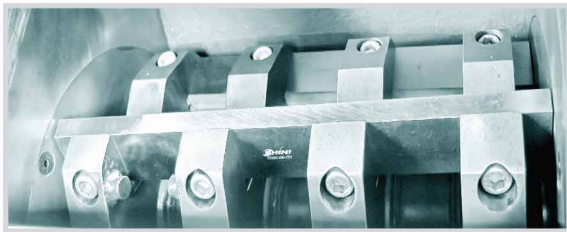
■ Coding Principle



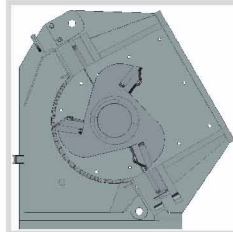
■ Features

● Fine finishing cutting chamber and cutting tools that need no adjustment

Components in the cutting chamber have been finely finished by CNC lathe, enjoying high accuracy; staggered cutters and structure can effectively disperse impact load and improve cutting efficiency; blade rest needing no adjustment makes it more convenient to change blades.



Cutting Chamber



Two Fixed plus Three Rotating Blades

● High-efficiency cutting motor

The machine adopts IE3 high-efficiency motor, which has stable performance as well as safe operation and helps energy consumption.



● Automatic conveying device

The machine is equipped with automatic conveying device of regrind materials, which is able to increase the conveying efficiency; materials are conveyed by blowers, which promote airflow and achieve air cooling of the cutting chamber to some extent. Thus, the room temperature of the cutting chamber can be reduced.



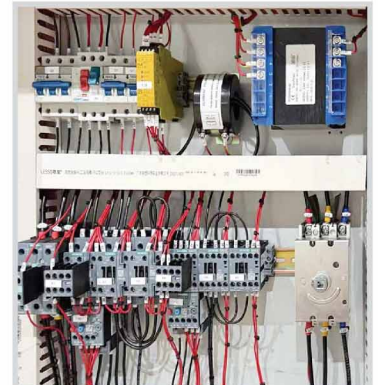
● Presetting Knife Jig

The presetting knife jig, which enables to re-shape of the blades and installation without too much cost and time.



● Multiple safety protection of control

Control circuit meets CE standard, and it has multiple protections including protection of motor overload, short circuit, phase default and phase order detection, ensuring safe operation of the machine.



Application

Shini Pipe Granulator SGP is designed for centralized granulation of plastic pipes and profiles, including the recycling of PVC water pipes and PE pipes.

Options

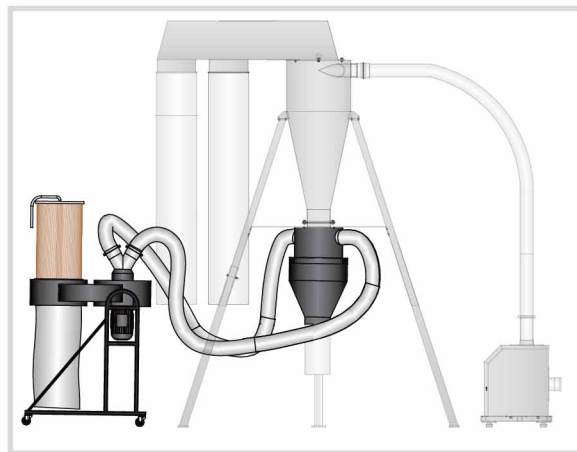
Special Screens



Special screen mesh sizes: $\Phi 8$, $\Phi 10$, $\Phi 14$ (mm) for SGP

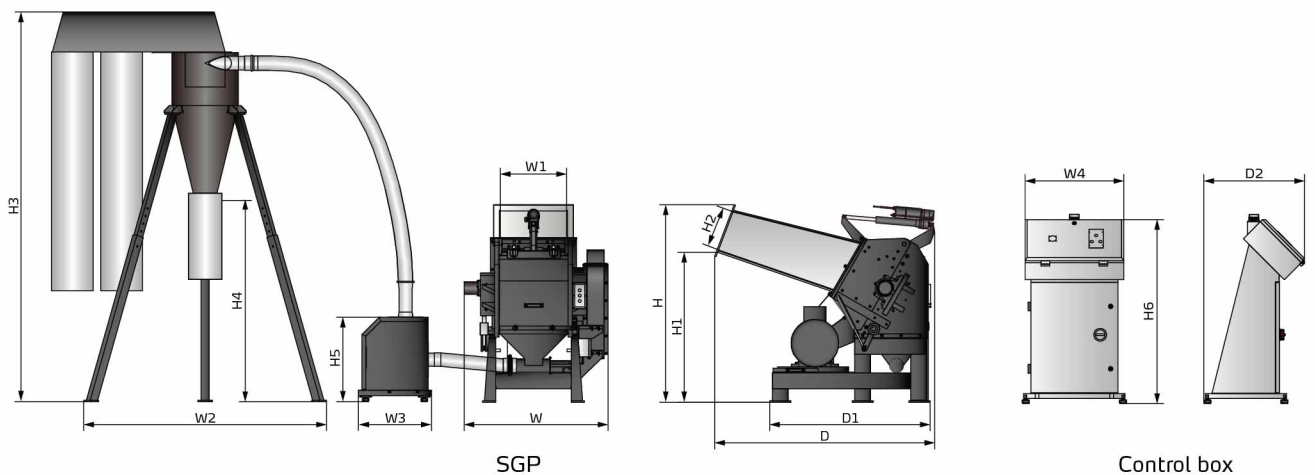
Add "SS + screen diameter" at the end of the model code, e.g.: $\Phi 8$ mm, add "SS08".

Dust-separating system



Optional dust-separating system to remove the dusts in the material. Add "DS" at the end of the model code.

Outline Drawings



SGP Series

Specifications

Model	SGP-4050	SGP-4080	SGP-40100	SGP-60120	
Motor Power (kW)	18.5	30	45	75	
Rotating Speed (rpm)	525	525	525	525	
Conveying Blower (kW)	2.2	2.2	2.2	7.5	
Feeding box push rod power(kW)	0.18	0.18	0.37	0.55	
Material of Blades	SKD11	SKD11	SKD11	SKD11	
Quantity Fixed Blades	2 x 1	2 x 2	2 x 2	2 x 2	
Quantity of Rotating Blades	3 x 2	3 x 2	3 x 2	5 x 2	
Cutting Chamber(mm)	400 x 500	400 x 800	400 x 1000	600 x 1200	
Max. Output (kg/hr)	400	650	900	1200	
Noise Level dB(A)	105~110	105~110	105~110	105~110	
Screen	φ10	φ10	φ10	φ12	
Dimension	H (mm)	1490	1490	1535	2235
	H1 (mm)	1131	1131	1176	1697
	H2 (mm)	306	306	306	459
	H3 (mm)	2010~3155	2010~3155	2010~3155	2010~3155
	H4 (mm)	1240~1690	1240~1690	1240~1690	1240~1690
	H5 (mm)	636	636	636	636
	H6 (mm)	1269	1269	1269	1269
	D (mm)	1680	1680	1680	2650
	D1 (mm)	1209	1209	1209	1209
	D2 (mm)	690	690	690	690
	W (mm)	1084	1384	1684	2076
	W1 (mm)	500	800	1100	1200
	W2 (mm)	1900~2310	1900~2310	1900~2310	1900~2310
	W3 (mm)	552	552	552	552
W4 (mm)	680	680	680	680	
Weight	1600	2000	2400	3000	

- Notes: 1) SKD11 is steel grade of Japanese JIS standard.
 2) Maximum throughput of granulator is subject to the diameter and material of screen mesh. For granulating frame and shell materials, maximum throughput will be reduced about half.
 3) Noise level varies with different materials and motor types.
 4) Noise level is tested under conditions of 1m around the machine and 1.6m from the ground.
 5) To avoid plastic from sticking to the blades, all materials should be crushed at normal temperature.
 6) Power supply : 3Φ, 230/400/460/575VAC, 50/60Hz.

We reserve the right to change specifications without prior notice.

Shini Group

Addr: No. 23, Minhe St., Shulin Dist.,
New Taipei, Taiwan

Tel: +886 2 2680 9119

Fax: +886 2 2680 9229

Email: shini@shini.com

Factories:

- Taiwan
- Dongguan
- Pinghu
- Ningbo
- Chongqing
- Pune

2025-05-15-04 Copyrights Reserved.

www.shini.com