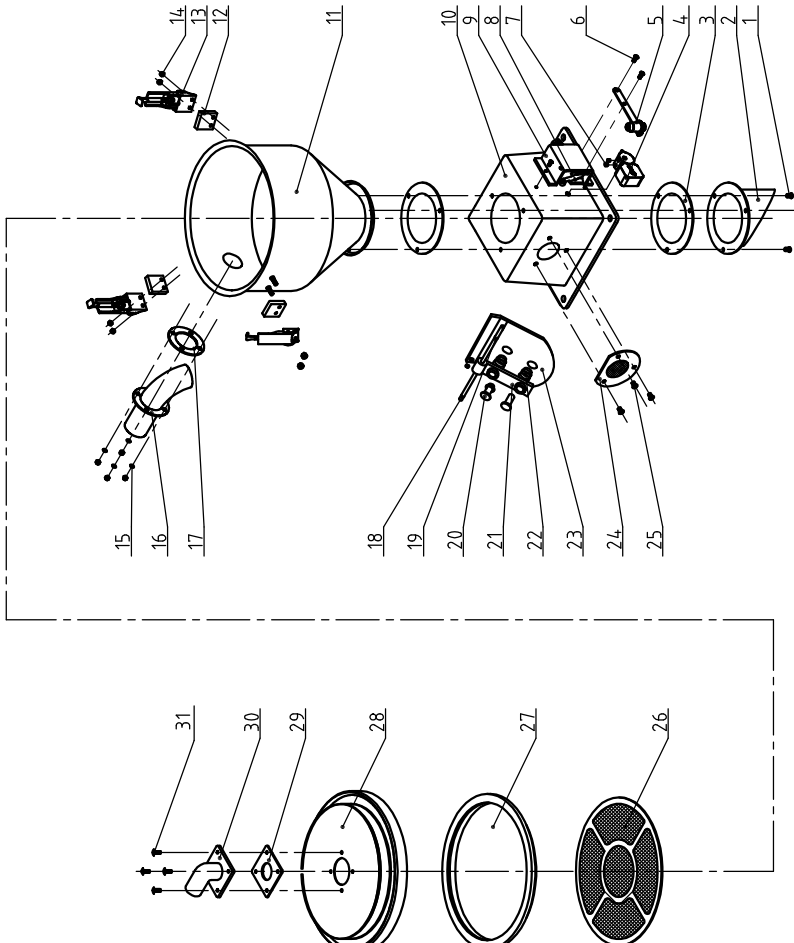


20	Foot pipe pressing screen	Q235	1
19	Foot pipe pressing screen sheet	SPCC2.5	1
18	Motor suction part tightener 1HP	Rubber	1
17	Air suction pipe elbow	ABS	1
16	Pipe clamp φ57	Assembly	2
15	Standard spring washer GB/T93 6-Longzine		10
14	Fair gasket A grade GB/T91.1 6-Longzine		10
13	Hexagon screw bolt GB/T5282 M6x6-4.8-Longzine		10
12	Filter assembly	Assembly	1
11	Standard spring washer GB/T93 8-Longzine		4
10	Large washer C grade GB/T9886.4x24x2-Longzine		4
9	Hexagon screw bolt GB/T5282 M6x6-4.8-Longzine		4
8	Right side plate	SPCC2.0	1
7	Control box	Assembly	1
6	Fixed bracket	Assembly	1
5	Steel wire ext. PUR hose 2"	PUR 0.35m	
4	Left side plate	SPCC2.0	1
3	Shimi blower RB-310/1HP	Assembly	1
2	Base	SPCC2.0	1
1	Black castor 2"	Assembly	4

No.	Part No.	Name	Material	Num.	Remarks
	SAL-810G	"Standard" Separate-vacuum Hopper Loader		1:10	
Version	Approved by	Date	Title		
Designer	Prepared by	Checked by	SAL-810G-ALL		
Modify date	Modified by	After-modification	Drawing No.		
Mark	Before modification		Hopper Loader		
			SHINI		
			信易电热机械股份有限公司		
			Shini Plastics Technologies, Inc.		



Tech. Req:
 1. Main parameters:
 a. Storage hopper capacity: 6L
 b. Air source: 4-6kgf/cm²
 c. Voltage: DC24V

No.	Part No.	Name	Material	Num.	Remarks
31	YW62051500000	Large cross socket flat head screw JIS11 MS-A-Longline		4	
30	BA20001500020	Air suction pipe	YL112	1	
29	YR100000000200	Air suction pipe fastener (has mould)	Rubber	1	
28	BL21000600420	Hopper cover	SPCC15	1	
27	YR10000300100	Hopper fastener	Rubber	1	
26	BL21000600620	Filter screen	Assembly	1	
25	YW62061000000	Large cross socket flat head screw JIS11 MS-A-Longline		7	
24	YR4-00024-00100	Vacuum hopper receiver plastic exhaust valve SMH-6L-A-32 ver.01(hot/has mould)	Assembly	1	
23	YW10000000100	Mat. discharge plate	SUS201	1	
22	YW01033000000	Mat. discharge plate spring		2	
21	BW20000100010	Alu. accessories	YL112	1	
20	YW01033000000	Mat. discharge plate metal	Q235A	2	
19	YW66003000000	Open check ring GB/T896.3		2	
18	BH10061400040	Iron rod	Q235A	1	
17	YR10061200000	Inlet pipe fastener	Rubber	1	
16	BL32000600020	Inlet pipe	SUS201	1	
15	YW66041000000	Flat washer A grade GB/1971.14.5-9.0.8L-Longline		4	
14	YW64040700100	Non-metal insert hex. lock nut GB/T899.1 M4		10	
13	YW02003000400	Spring fastener	Assembly	3	
12	YR4-0006000300	Spring fastener washer	ABS	3	
11		Material storage tank	SUS304	1	
10	BA10040000210	Square base (thin type)	YL112	1	
9	YR40000600600	Micro switch box	ABS	1	
8	YE14511200000	Micro switch LXW5-11G2		1	
7	YW68005500000	liner: hex. flat end lock screw GB/T11 MS-Longline		4	
6	YW63041200100	Large cross socket pan head screw GB/T48 MS-A-Longline		3	
5	BH10000600050	Pin lift mechanism	Assembly	1	
4	YW20602100000	With heavy hammer	Zinc alloy	1	
3	YR10000000600	Base fastener	Rubber	2	
2	BL20333600020	Sitical hole	SUS304	1	
1	YW62052000000	Large cross socket flat head screw JIS11 MS-A-Longline		3	

Mark	Before modification	After modification	Modified by	Checked by	Date

Drawer	Version

Designer	Approved by

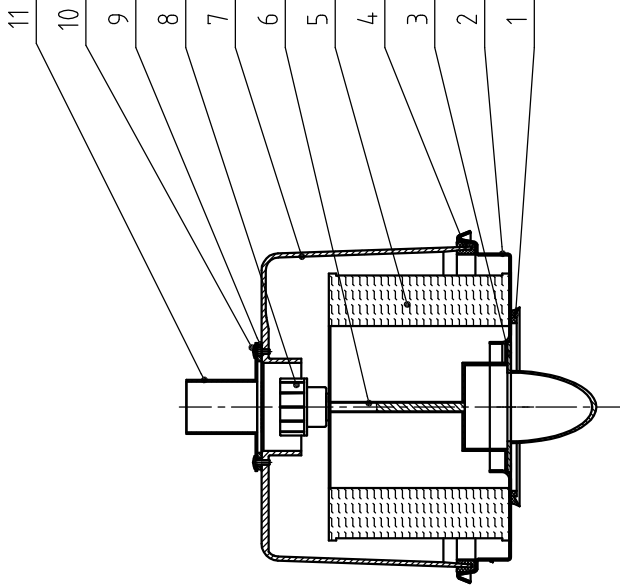
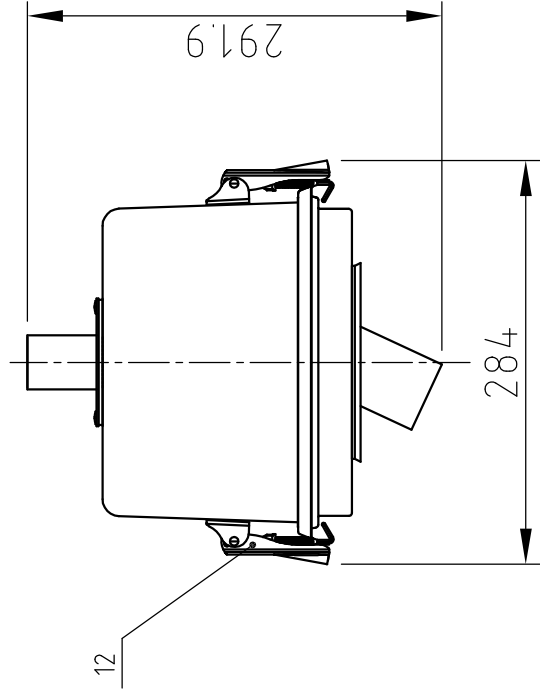
Proofread by	Checked by	Date

Title	SMH-6L
Vacuum Hopper Receiver	

Proportion	1:8
Material	Material
Assembly	Assembly

Material	Surface

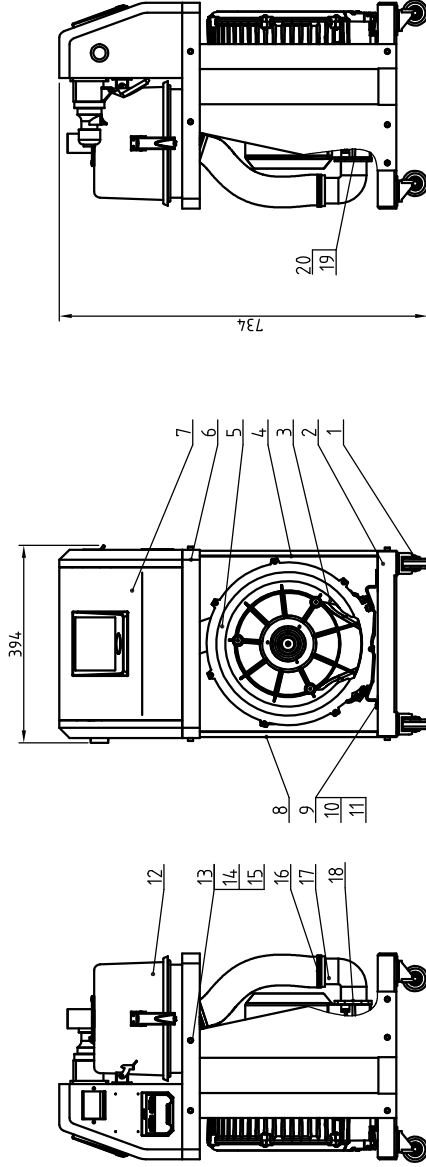




12	YW02003000400	Adjustable spring hook SAL-6H-A-35	Assembly	2	
11		Filter barrel suction flange	SUS201	1	
10	YW6704.1200600	Gross socket pan head self-tapping screw M4x2		4	
9	YR1024.3600000	Suction pipe round fastener SAL-24U/36U	Rubber	1	
8	YW09675100000	Small star nut 5/16 SHD-6~75KG-01-SJ	Alu. alloy	1	
7	YL22081000000	Transparent filter	PC	1	
6	BL20333640320	Filter barrel base	Assembly	1	
5	YR50708000100	Filter	Assembly	1	
4	YR10080000300	Filter barrel fastener	Rubber	1	
3	YR1024.3600000	Suction pipe round fastener SAL-24U/36U	Rubber	1	
2	BL20070000720	Filter barrel cover	SPCC15	1	
1	YR10080000000	Fastener	Rubber	1	
No.	Material number	Name	Mat.	Num.	Remarks

Mark	Before Mark	After Mod.	Modified by	Date	Ver.	Draw.	Title	
							SAL-810G	Drawing no.
					App.	Desi.	Filter Barrel Assembly	
					by	Check	SAL-810G-A-ALL	
					Date	App.	Scale 1:5	
							Surface req.	Num. 1
							Mat. No.	Mat. Assembly

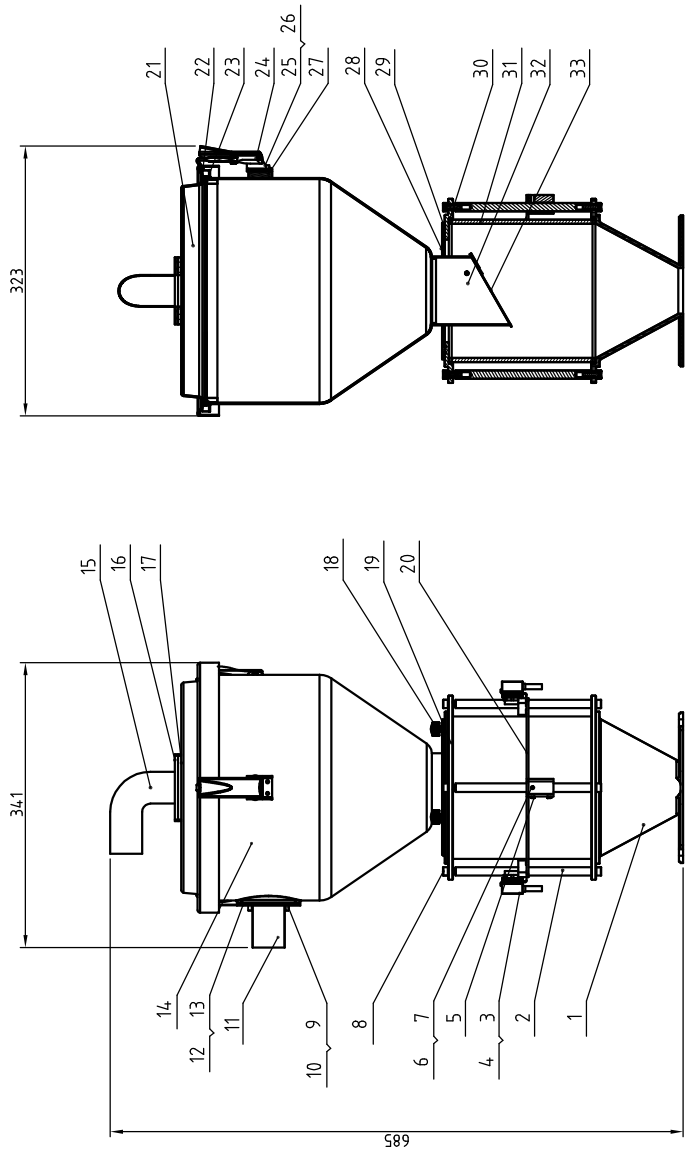
SHINI
 信易電熱機械股份有限公司
 Shini Plastics Technologies, Inc.



20		Foot pipe pressing screen	SPCC2.5	1	
19		Foot pipe pressing screen sheet	Q235	1	
18	YR10002000000	Motor suction part tightener 2HP	Rubber		
17	YR40020000000	Air suction pipe elbow	ABS	1	
16	YW02002500000	Pipe clamp φ57	Assembly	2	
15	YW65006000100	Standard spring washer GB/T93 6-Longzine		10	
14	YW66061300000	Flat gasket A grade GB/T91.1 6-Longzine		10	
13	YW60061500100	Hexagon screw bolt GB/T5783 M6x16-4.8-Longzine		10	
12		Filter assembly	Assembly	1	
11	YW65008000100	Standard spring washer GB/T93 8-Longzine		4	
10	YW66082200100	Large washer C grade GB/T9888.4x24x2-Longzine		4	
9	YW60081600100	Hexagon screw bolt GB/T5783 M6x16-4.8-Longzine		4	
8		Right side plate	SPCC2.0	1	
7		Control box	Assembly	1	
6		Fixed bracket	Assembly	1	
5	YR60500700100	Steel wire ext. PUR hose 2"	PUR	0.35m	
4		Left side plate	SPCC2.0	1	
3	BM30042000050	Shimi blower RB-420/2HP	Assembly	1	
2		Base	SPCC2.0	1	
1	YW03000200000	Black castor 2"	Assembly	4	

Title		SAL-820G		Drawing No.		SAL-820G-ALL		Remarks	
Drawer		Designer		Proofread by		Checked by		Material	
Version		Approved by		Date		Surface		Material number	
Modified by		Modify date		After modification		Before modification		Material	
Mark		Modified by		Modify date		Checked by		Material	
Title		SAL-820G		Drawing No.		SAL-820G-ALL		Remarks	
Drawer		Designer		Proofread by		Checked by		Material	
Version		Approved by		Date		Surface		Material number	
Modified by		Modify date		After modification		Before modification		Material	
Mark		Modified by		Modify date		Checked by		Material	



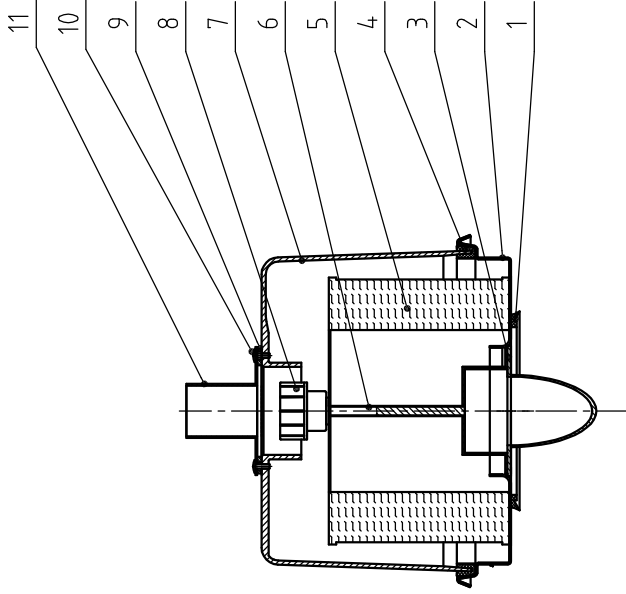
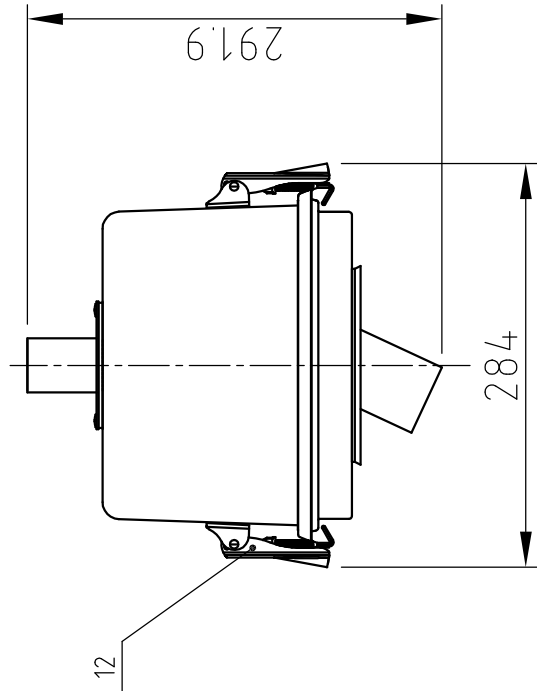


33	BL21001200520	Non-return piece	SUS201	1
32	BL21001200720	Mat. discharge port	SUS201	1
31	YW70717700000	Glass pipe $\phi 170 \times \phi 160 \times 170$	Glass	1
30	YR100001200100	Glass pipe fastener SVH-TL-A-06(ver.0)	Silical gel	2
29	BL90052003210	Vent flange	SUS201	1
28	BL21001201220	Hopper flange	SUS202	1
27	YR40000600800	Snap hook washer SAL-6U	ABS	4
26	YW66040800000	Flat washer A grade GB/T971.1.-Langshin		12
25	YW64040700100	Non-metal insert hex. lock nut GB/T899.1 M4	Assembly	4
24	YW02003000400	Adjustable snap hook	Rubber	1
23	YR10000600200	Hopper fastener	SUS201	1
22	BL21001200320	Hopper screen	SUS304	1
21	BL21120700320	hopper cover	SUS201	1
20	BL21001200120	Photo sensor fixed piece	SUS202	1
19	BW32001200110	Glass pipe upper fastener	SUS202	1
18	YW69621600000	Manual screw M6x15	Rubber	3
17	YR10000000200	Air suction pipe fastener	Rubber	1
16	YW62051500000	Large cross socket flat head screw JIS1117 M6x16.-Langshin		4
15	BW20001500010	Air suction pipe	YL12	1
14		Material storage hopper	Assembly	1
13	YR10000600300	Inlet pipe fastener	Rubber	1
12	BL20036000320	Inlet pipe fixed piece	SUS201	1
11	BL32000600020	Inlet pipe	SUS201	1
10	YW66040800000	Flat washer A grade GB/T971.1.-Langshin		4
9	YW66040700100	Non-metal insert hex. lock nut GB/T899.1 M4		4
8	YW61061601200	Inner hex. column head screw GB/T 70.1 M6x12.-Langshin		8
7	YW31616200000	Photosensor cable pressure block	SUS201	1
6	YW63041200100	Cross socket pan head screw GB/T 818 M4x12.-Langshin		4
5	YW68004500000	Large cross socket pan head screw GB/T 77 M4x5.-Langshin		2
4	BL90001000120	Photosensor fixed base	YL12	1
3	YE15143900000	Photosensor FOTEK T18-3YH-PE	Assembly	1 pair
2	BH10101600110	Flange connecting rod	Q235A	4
1	BL21000610710	Glass pipe lower flange	SUS304	1


Title		SVH-12L-A-ALL	
Drawing No.		SVH-12L-A-ALL	
Photofensor Hopper Receiver			
Mark	Before modification	Modified by	Modify date
	After modification	Checked by	Date
Drawer	Designer	Version	Approved by
Part No.		Name	
No.	Part No.	Name	Material
Prop.		1:6	Num.
		1	Assembly
			Material
			Surface
			Material number
			Remarks

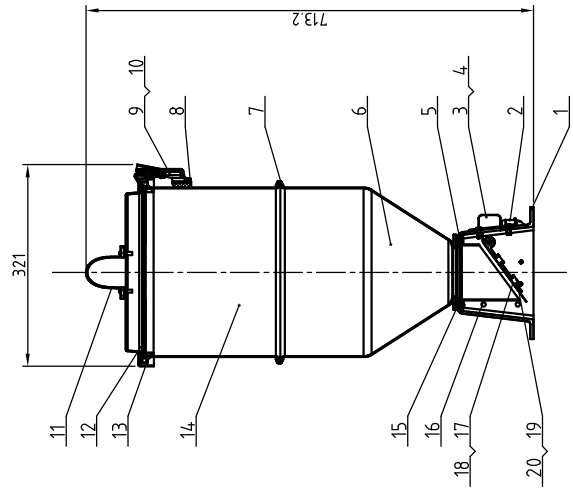


Tech. Req:
 1. Main parameters:
 a. Storage hopper capacity: 6L
 b. Air source: 4-6kgf/cm²
 c. Voltage: DC24V



12	YW02003000400	Adjustable spring hook SAL-6U-A-35	Assembly	2	
11		Filter barrel suction flange	SUS201	1	
10	YW6704.1200600	Gross socket pan head self-tapping screw M4x2		4	
9	YR1024.3600000	Suction pipe round fastener SAL-24U/36U	Rubber	1	
8	YW09675100000	Small star nut 5/16 SHD-6~75KG-01-SJ	Alu. alloy	1	
7	YL22081000000	Transparent filter	PC	1	
6	BL20333640320	Filter barrel base	Assembly	1	
5	YR50708000100	Filter	Assembly	1	
4	YR10080000300	Filter barrel fastener	Rubber	1	
3	YR1024.3600000	Suction pipe round fastener SAL-24U/36U	Rubber	1	
2	BL20070000720	Filter barrel cover	SPCC15	1	
1	YR10080000000	Fastener	Rubber	1	
No.	Material number	Name	Mat.	Num.	Remarks

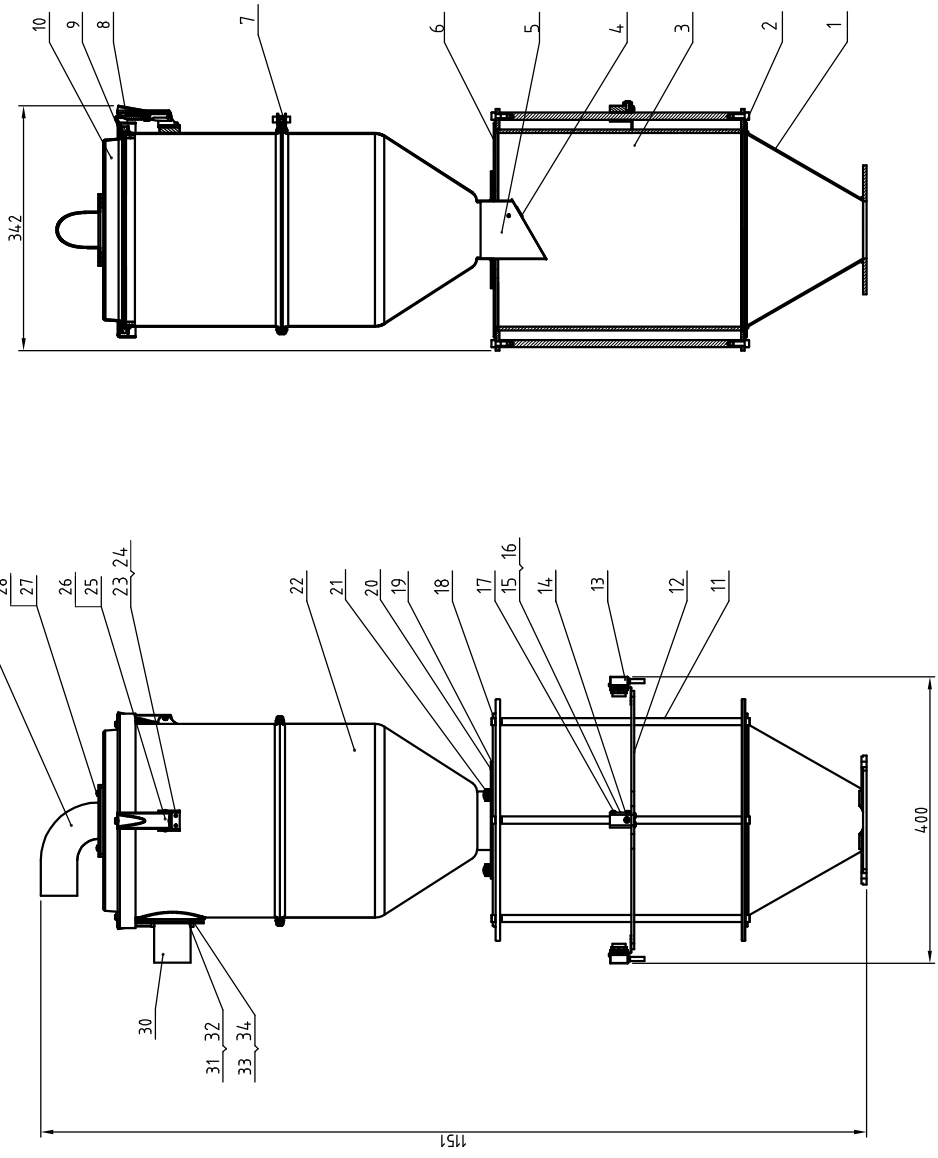
Mark	Before Mark	After Mod.	Modified by	Date	App.	Check	Desi.	Draw.	Ver.	Title		Scale	1:5	Num.	1	Remarks	
										SAL-810G							Drawing no.
										Filter Barrel Assembly		SAL-810G-A-ALL					
										 信易電熱機械股份有限公司 Shini Plastics Technologies, Inc.		Surface req.		Mat No.			



33	YW62061000000	Cross socket pan head screw M6x10	4, 8	7
32	YR40002400100	Air suction pipe	Assembly	1
31	YW66000300000	Open check ring 5	65Mn	2
30	BH10061400040	Iron rod	Q235A	1
29	YR10243600000	Inlet pipe	SUS201	1
28	YR10243600000	Inlet pipe fastener	Rubber	1
27	YW66040800000	Flat washer 4	100HV	4
26	YW62051500000	Cross socket pan head screw M6x6	4, 8	4
25	YR10000000200	Air suction pipe fastener	Rubber	1
24	YR40330900000	Hopper cover	SUS201	1
23	YR40330900000	Micro switch box	ABS	1
22	YE14511200000	Micro switch LXW5-11G2	Assembly	1
21	YW63041000000	Cross socket pan head screw M6x10	4, 8	3
20	BW20000100010	Alu. accessories	YL112	1
19	YW01033000000	Mat. discharge plate rivet	Q235A	2
18	YW10000000100	Mat. discharge plate	SUS201	1
17	YW01033000000	Spring	65Mn	2
16	BL20333600020	Silical hole	SUS304	1
15	YW62052000000	Cross socket pan head screw M6x8	4, 8	3
14	YR10000600200	Large hopper	SUS201	1
13	YR10000600200	Hopper fastener	Rubber	1
12	BL21001200320	Filter screen	Assembly	1
11	BW20002000010	Air suction pipe	SUS201	1
10	YW02003000400	Spring fastener	Assembly	3
9	YR40000600300	Snap hook washer	ABS	3
8	YW64040700100	Lock nut M4x0.7	0.4	10
7	BL21001208120	Pipe clamp	Assembly	1
6	YR10000000600	Material storage tank	Assembly	1
5	YR10000000600	Base fastener	Rubber	2
4	YW68005500000	Set screw M5x5	4, 8	4
3	YW20602100000	With heavy-hammer	Zinc alloy	1
2	BH10000600050	Pin lift mechanism	Assembly	1
1	BA10040000210	Square base (thin type)	YL112	1

Title		SMH-24L		SMH-24L-A-ALL	
Vacuum Hopper Receiver					
Version	1:8	Num.	1		
Approved by		Material	Surface		
Date		First angle drawing method.			
Drawer					
Designer					
Proofread by					
Checked by					
Modified by					
After modification					
Before modification					
Mark					

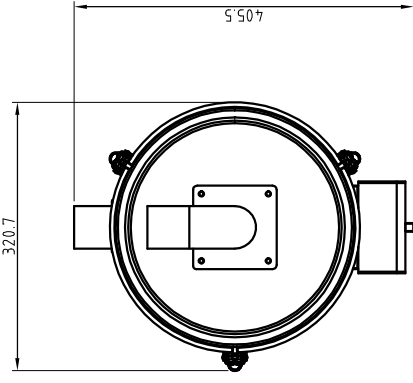
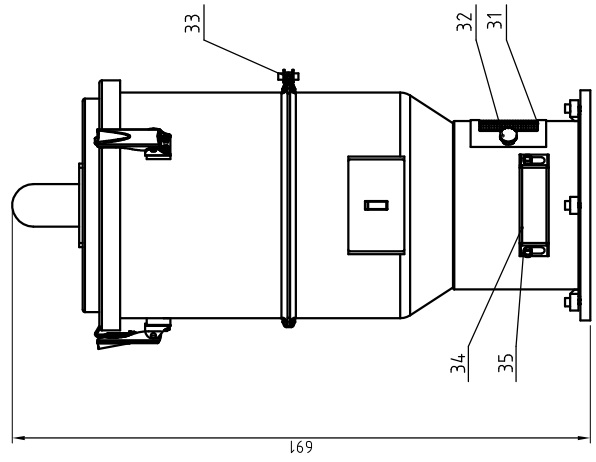
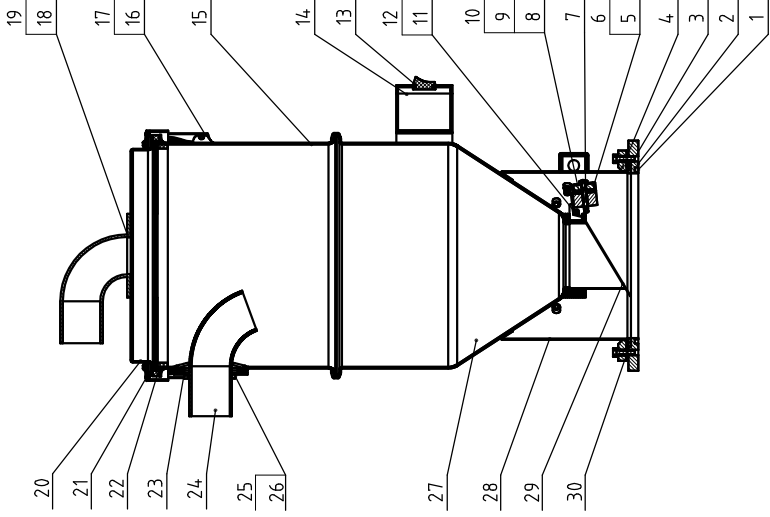




34	YW64040700100	Non-metal insert hex. lock nut GB/T1881.1M4		4	
33	YW66041000000	Flar washer A grade GB/T1145.5M4H-L-Longline		4	
32	BL27002401720	Inlet pipe fixed piece	SUS201	1	
31	YR10243600000	Inlet pipe fastener	Rubber	1	
30		Inlet pipe	Assembly	1	
29	BL27002400620	Air suction pipe	SUS201	1	
28	YR10002500000	Air suction pipe fastener	Rubber	1	
27	YW62051500000	Left cone socket flar head screw GB/T 498 M4x12-Longline		4	
26	YR40000600800	Snap hook washer SAL-6U	ABS	3	
25	YW02003000400	Snap hook SAL-6U-A-35	Assembly	3	
24	YW66040800000	Flar washer A grade GB/T114.4-L-Longline		10	
23	YW64040700100	Non-metal insert hex. lock nut GB/T1881.1M4		10	
22		Material storage hopper	SUS304	1	
21	YW69621600000	Manual screw M6x15	4.8	3	
20	BL21004201220	Hopper flange	SUS202	1	
19	BL90052003210	Vent flange	SUS201	1	
18	YW61061601200	Hex. hex. column head screw GB/T 70.1 M6xL-Longline		12	
17	YW68004500000	Inner hex. flar end lock screw GB/T1771 M4.5-L-Longline		2	
16	YW31616200000	Photosensor cable pressure block	SUS201	1	
15	BL90001000120	Photosensor fixed base	YL112	1	
14	YW63041200100	Cross socket pan head screw GB/T 498 M4x12-Longline		3	
13	YE15143900000	Photosensor FOTEK T18-39M-PE	Assembly	1pair	
12		Photosensor fixed base	SUS201	1	
11	BH10103300010	Flange connecting rod	Q235	6	
10	BL21002402120	Hopper cover	SUS201	1	
9	BL21001200320	Filter screen	SUS201	1	
8	YR10000600200	Hopper fastener	Rubber	1	
7	BL21001208120	Pipe clamp	Assembly	1	
6		Glass pipe upper flange	SUS201	1	
5	BL27001200720	Mat. discharge port	SUS201	1	
4	BL21001200520	Non-return piece	SUS201	1	
3	YW70282700000	Glass pipe Ø280xØ270x340	Glass	1	
2	YR10001200100	Glass pipe fastener	Silical gel	4	
1		Glass pipe lower flange	SUS201	1	

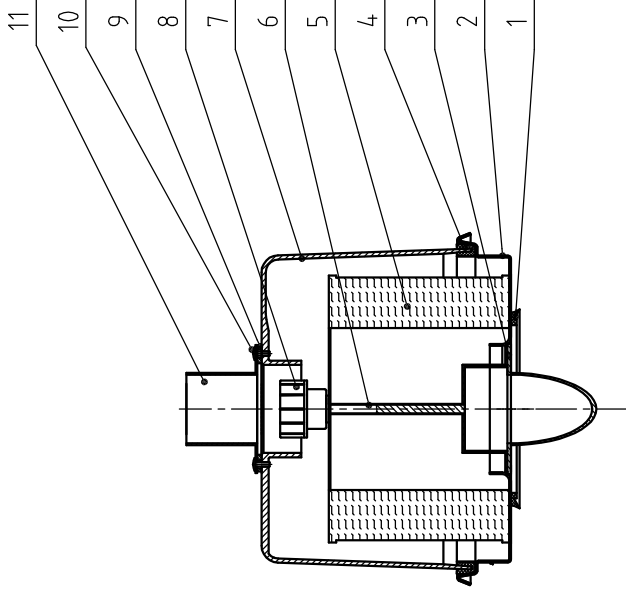
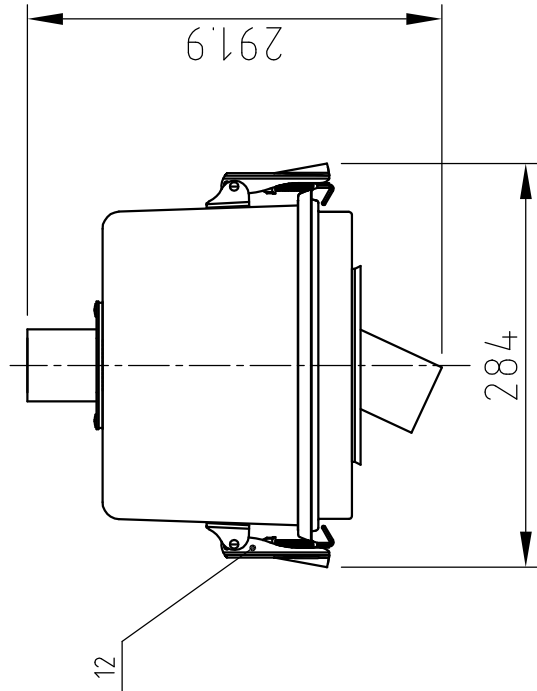
Title		Drawing No.		Remarks	
SVH-24L		SVH-24L-A-ALL		Prop. 1:7 Num. 1	
Assembly Drawing				Material Assembly	
Mark		Before modification		Surface	
After modification		Modified by		Material number	
Modified date		Checked by			
Designer		Approved by			
Version		Date			





35	YW61061601200	lower hex. column head screw GB/T 70.1 M6x6-8.8-Longline	2
34	YR4.0000601100	Sensor shell	1
33	YR4.0061500000	Pipe clamp	1
32	YR4.0061500000	Star handle SAL-6U/M6x15	2
31	YR4.0000601000	Vent window	1
30	YW61062000300	lower hex. column head screw GB/T 70.1 M6x20-8.8-Longline	4
29	BL27063200020	Mat. discharge plate	SUS201
28	BL27063200020	Hopper fixed base	SUS304
27	YW6604.1000000	Material storage hopper	SUS304
26	YW64.04.0700100	Non-metal insert hex. lock nut GB/T889.1 M4	4
25	YW6604.1000000	Flat washer A grade GB/T197.1 4.4.5X9X0.8-Longline	4
24	YR1024.3600000	Inlet pipe	Assembly
23	YR1024.3600000	Inlet pipe fastener	Rubber
22	YR10000600200	Hopper fastener	Rubber
21	BL21001200320	Filter screen	SUS201
20	BL210024.02120	Hopper cover	SUS304
19	BL270024.00620	Air suction pipe	SUS201
18	YR10002500000	Inlet pipe fastener	Rubber
17	YW02003000400	Snap hook SAL-6U-A-35	Assembly
16	YR4.0000600800	Snap hook washer SAL-6U	ABS
15	BL210024.00420	Large hopper	SUS201
14	BH906150000010	Water-proof connection box WDJH-100	ABS
13	YE102104.00000	White alternative switch RZ00-C5L.BW4P	Assembly
12	YW64.0003000000	Non-metal insert hex. lock nut GB/T889.1 M3	1
11	YW63034.000000	Cross socket pan head screw GB/T-88 M3x4.5- Longline	1
10	BH1024.1003110	With weight	HPb59-1
9	YW64.000600200	Non-metal insert hex. lock nut GB/T889.1 M6	1
8	BH12000600010	Magnet sleeve	HPb59-1
7	YW63063500000	Cross socket pan head screw GB/T-88 M6x3.5- Longline	1
6		Magnet cover	SUS201
5	YW902577100000	Permanent magnet φ25.×φ7×7	Permanent magnet
4	BW20000630500	Pressing block	YL112
3		Base fastener	EVA2.0
2	BW21275100010	Base	YL112
1	YR20205500000	O-type seal ring inner dia. φ200×5.5	Rubber

No.	Part No.	Name	Material	Num.	Remarks
Title SHR-24U					
Vacuum Hopper Receiver					
SHR-24U-ALL					
SHINI 信易電熱機械股份有限公司 Shini Plastics Technologies, Inc.					
Mark	Before modification	After modification	Modified by	Modify date	Checked by
			Designer	Approved by	Date
			Proofread by		
			Drawer	Version	



12	YW020030004.00	Adjustable spring hook SAL-60-A-35	Assembly	2
11		Filter barrel suction flange	SUS201	1
10	YW6704.1200600	Cross socket pan head self-tapping screw M4x4		4
9	YR10243600000	Suction pipe round fastener SAL-240/360	Rubber	1
8	YW09675100000	Small star nut 5/16 SHD-6~75KG-01-SJ	Alu. alloy	1
7	YL22081000000	Transparent filter	PC	1
6	BL2033364.0320	Filter barrel base	Assembly	1
5	YR50708000100	Filter	Assembly	1
4	YR10080000300	Filter barrel fastener	Rubber	1
3	YR10243600000	Suction pipe round fastener SAL-240/360	Rubber	1
2	BL20070000720	Filter barrel cover	SPCC15	1
1	YR10080000000	Fastener	Rubber	1
No.	Material number	Name	Mat.	Num.

Mark	Before	Mark	After	Mod.	Modified by	Date	Ver.	Draw.	Title		Drawing no.		Scale	1:5	Num.	1	Remarks	
							App.		Filter Barrel Assembly		SAL-830G-A-ALL					Assembly		
							by											
							Date											



信易電熱機械股份有限公司
Shini Plastics Technologies, Inc.