

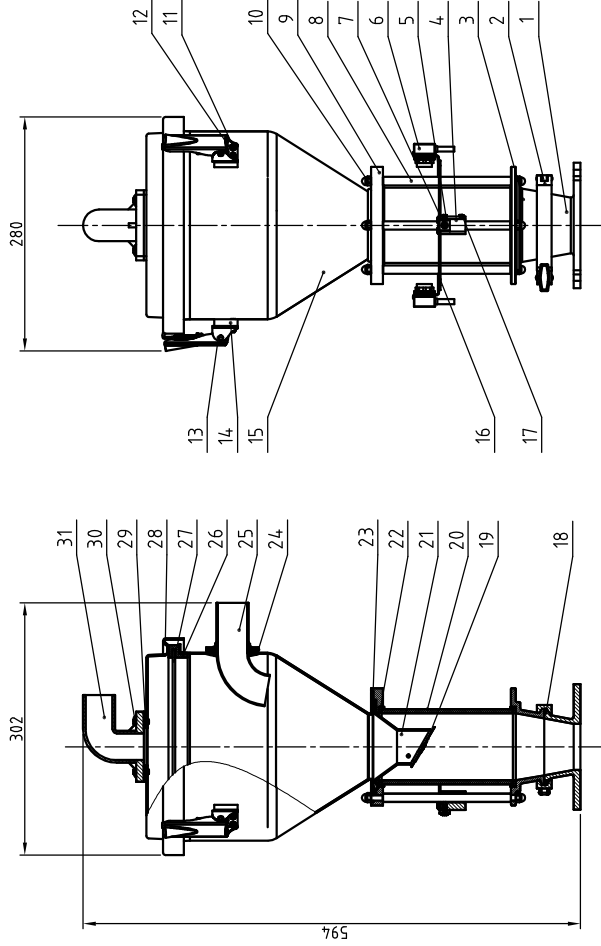
Notes: \* means easy broken part, and spare backup is suggested.

26	Foot pipe pressing screen	Q235	1
25	Foot pipe pressing screen sheet	SPCC2.5	1
24	Three-way valve	Assembly	1 *
23	Steel wire clamp 48mm Hst. No. 1/4 steel	Assembly	2
22	Steel wire hose 1.5" (PUR35520m/roll)	Assembly	0.35m
21	Stainless steel punching clamp seal ring 2"	Stical gel	1
20	Stainless steel punching pipe clamp 2"	Assembly	1
19	Air suction pipe	Assembly	1
18	Motor suction port tightener 1HP	Rubber	1
17	Air suction pipe elbow	ABS	1
16	Pipe clamp φ57	Assembly	2
15	Standard spring washer GB/T93 6-Longline		10
14	Flur. gasket A grade GB/T97.1 6-Longline		10
13	Hexagon screw bolt GB/T5783 M6x6-4-Longline		10
12	Filter assembly	Assembly	1 *
11	Standard spring washer GB/T93 8-Longline		4
10	Large washer C grade GB/T9688 6x2x2-Longline		4
9	Hexagon screw bolt GB/T5783 M6x6-4-Longline		4
8	Right side plate	SPCC2.0	1
7	Control box	Assembly	1
6	Fixed bracket	Assembly	1
5	Steel wire ext. PUR hose 2"	PUR 0.35m	
4	Left side plate	SPCC2.0	1
3	Shimi blower RB-310/1HP	Assembly	1
2	Base	SPCC2.0	1
1	Black castor 2"	Assembly	4

No.	Part No.	Name	Material	Num	Remarks
Drawing No. SAL-910G					
Title SAL-910G "Standard" Separate-vacuum Hopper Loader					
Version					
Approved by					
Date					
Drawer					
Designer					
Proofread by					
Checked by					
Modify date					
Modified by					
After modification					
Before modification					
Mark					
Proportional 1:10					
Material Assembly					
Surface					
Material number					







No.	Part No.	Name	Material	Num.	Remarks
31	BW20001500010	Air suction pipe	YL112	1	
30	YW62051500000	Large cross socket flat head screw (S1111 M6.5-Engine)		4	
29	YR10000000200	Air suction pipe fastener	Rubber	1	
28	BL21000602820	Hopper cover	SUS304	1	
27	BL21000600620	Filter screen	SUS201	1	
26	YR100000300100	Hopper fastener	Rubber	1	
25	BL32000600020	Inlet pipe	SUS201	1	
24	YR10061200000	Inlet pipe fastener	Rubber	1	
23	YR20259800000	Rubber O-type seal ring 2.5×98	Rubber	1	
22	YR10060200000	Glass pipe fastener	Silical gel	2	
21	BW32006700810	Mat. discharge port	Assembly	1	
20	YW70317000600	Glass pipe	Glass	1	
19	BL21000602720	Non-return piece	Assembly	1	
18	YR20802600000	Rubber O-type seal ring 80 (inner dia.)x2.65	Rubber	1	
17	YW68004500000	Inner hex. flat end lock screw (GB/T1145.1-M4.5-Longline)		2	
16		Photo sensor fixed piece	SPCC15	1	
15		Material storage hopper	SUS304	1	
14	YR40000600300	Spring fastener washer	ABS	3	
13	YW02003000400	Spring fastener	Assembly	3	
12	YW66041000000	Flat washer A grade (GB/T197.14(4.5-9x)B)-Longline		8	
11	YW64040700100	Non-metal insert hex. lock nut (GB/T1889.1-M4)		8	
10	YW64006000100	Hex. cap nut (GB/T923 M6-A2-70(SUS))		6	
9	BH13062400200	Glass pipe upper flange	YL112	1	
8	BH10000600640	Flange connecting rod	Q235A	3	
7	YW63041200100	Cross socket pan head screw (GB/T-818 M4x2-Longline)		3	
6	YE15143900000	Photosensor FOTEK T18-3ML-PE	Assembly	1 pair	
5	YW31616200000	Photosensor cable pressure block	SUS201	1	
4	BL90001000120	Photosensor fixed base	YL112	1	
3	BH13062600200	Glass pipe lower flange	YL112	1	
2	YW07000300000	3" stainless steel pipe clamp	SUS202	1	
1	BH13060100200	Mount flange	YL112	1	

Tech. Req:

1.Main parameters:

a.Storage hopper capacity:6L

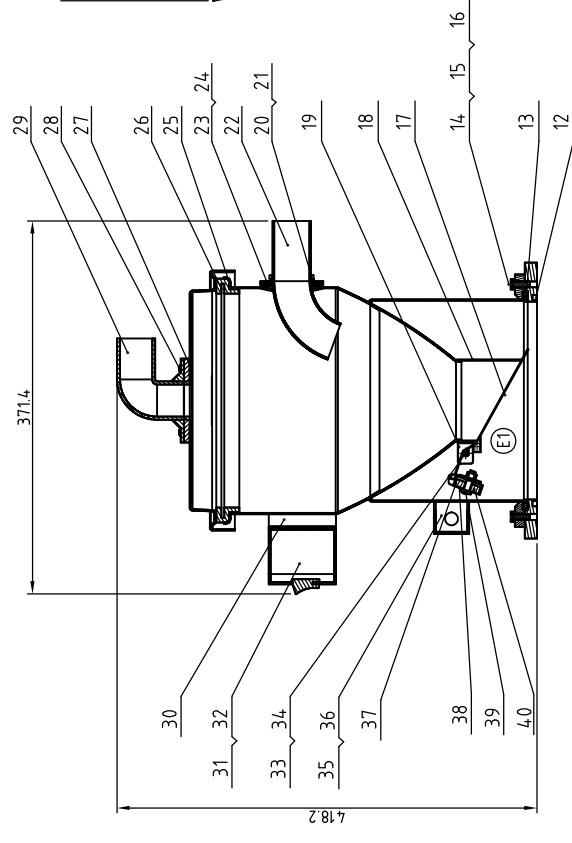
b.Air source: 4-6kgf/cm<sup>2</sup>

c.Voltage: DC24V

Mark	Before modification	After modification	Modified by	Modify date	Checked by	Version	Approved by	Date

Title		Drawing No.		Prop.	
SVH-6L		SVH-6L-ALL		1:6 Num. 1	
Photosensor Hopper Receiver				Material	
				Surface	
				Material number	

**SHINI** 信孚塑料机械股份有限公司  
Shini Plastics Technology, Inc.

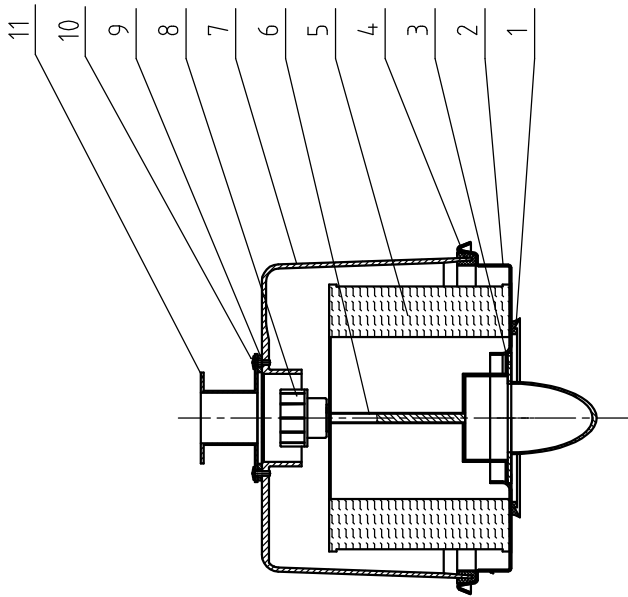
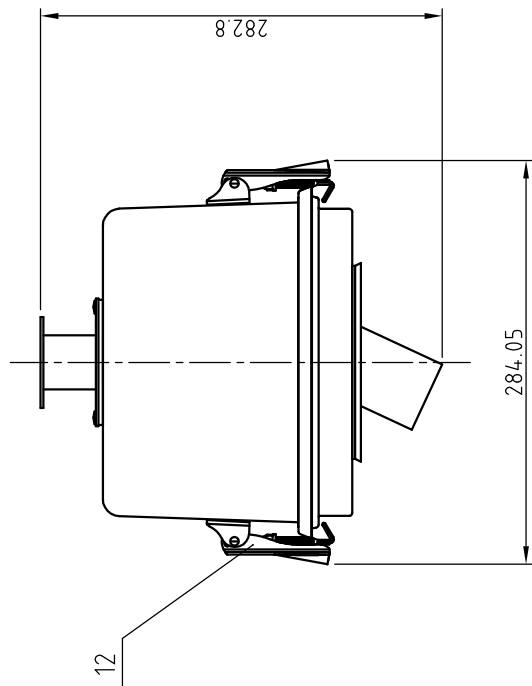


No.	Part No.	Name	Material	Num.	Remarks
40	BL21000600120	Magnetic cover	SUS201	1	
39	YW63062000000	Cross socket pan head screw ØB7-8H Mx20		1	
38	YW90257700000	Permanent magnetic piece Ø25xØ7x7	Permanent magnet	1	
37	BH12000600010	Magnetic sheet	H58	1	
36	YW63061000000	Cross socket pan head screw ØB7-8H Mx16		2	
35	YR40000601100	Sensor shell	ABS	1	
34	YW63034000000	Cross socket pan head screw ØB7-8H Mx16		1	
33	YW64000300000	Lock nut H3		1	
32	YW63040600000	Cross socket pan head screw M4-6GB/788		2	
31	YR40010000200	Control box	ABS	1	
30		Control box base	SUS201	1	
29	BW20001500010	Air suction pipe	YL12	1	
28	YW62051500000	Large cross socket flat head screw J511116x16		4	
27	YR10000000200	Air suction pipe fastener	Rubber	1	
26	BL21000600620	Filter screen	SUS201	1	
25	YR10000300100	Hopper fastener	Rubber	1	
24	YR10061200000	Feed pipe fastener	Rubber	1	
23	BL20036000320	15" feed pipe fixed sheet	SUS201	1	
22	BL32000600020	Feed pipe	SUS201	1	
21	YW66040800000	Flat washer A grade ØB771 (L4.520x0.8)		4	
20	YW64040700100	Non-metal insert hex lock nut ØB718911M		4	
19	BL21000601120	Mat. discharge plate fixed base	SUS201	1	
18	BL21000600720	Mat. discharge part	SUS201	1	
17	BL21000602320	Mat. discharge plate	SUS201	1	
16	YW66061300000	Flat washer A grade ØB771 L4-Longline		8	
15	YW65006000000	Standard spring washer ØB773 L-Longline		8	
14	YW61062000300	Inner hex. column head screw ØB718911x30mm		6	
13		Base fastener	EVA3.0	1	
12	YR20205500000	O-type seal ring inner dia. Ø200x5.5	Rubber	1	
11		Hopper cover	SUS201	1	
10	YW02003000400	Adjustable spring hook SAIL-Ø1.1-3H	Assembly	3	
9	YR40000600800	Spring hook washer SAIL-Ø1	ABS	3	
8	YW66040800000	Flat washer A grade ØB771 (L4.520x0.8) Longline		10	
7	YW64040700100	Non-metal insert hex lock nut ØB718911M		10	
6		Material storage hopper	SUS304	1	
5	YR40061500000	Start handle	Assembly	2	
4	YR40000601000	Ventilation window	ABS	1	
3	BL21000601320	Hopper fixed base	SUS304	1	
2	YW20000600500	Pressing block	YL112	4	
1	YW20006000000	Base	YL112	1	


Title		SHR-6U		Drawing No.		SHR-6U-A-ALL	
Version				Scale		1:5	
Approved by				Material		Surface	
Date				Material number			
Drawer				Assembly			
Designer				Remarks			
Proofread by							
Checked by							
Modify date							
After modification							
Before modification							
Mark							

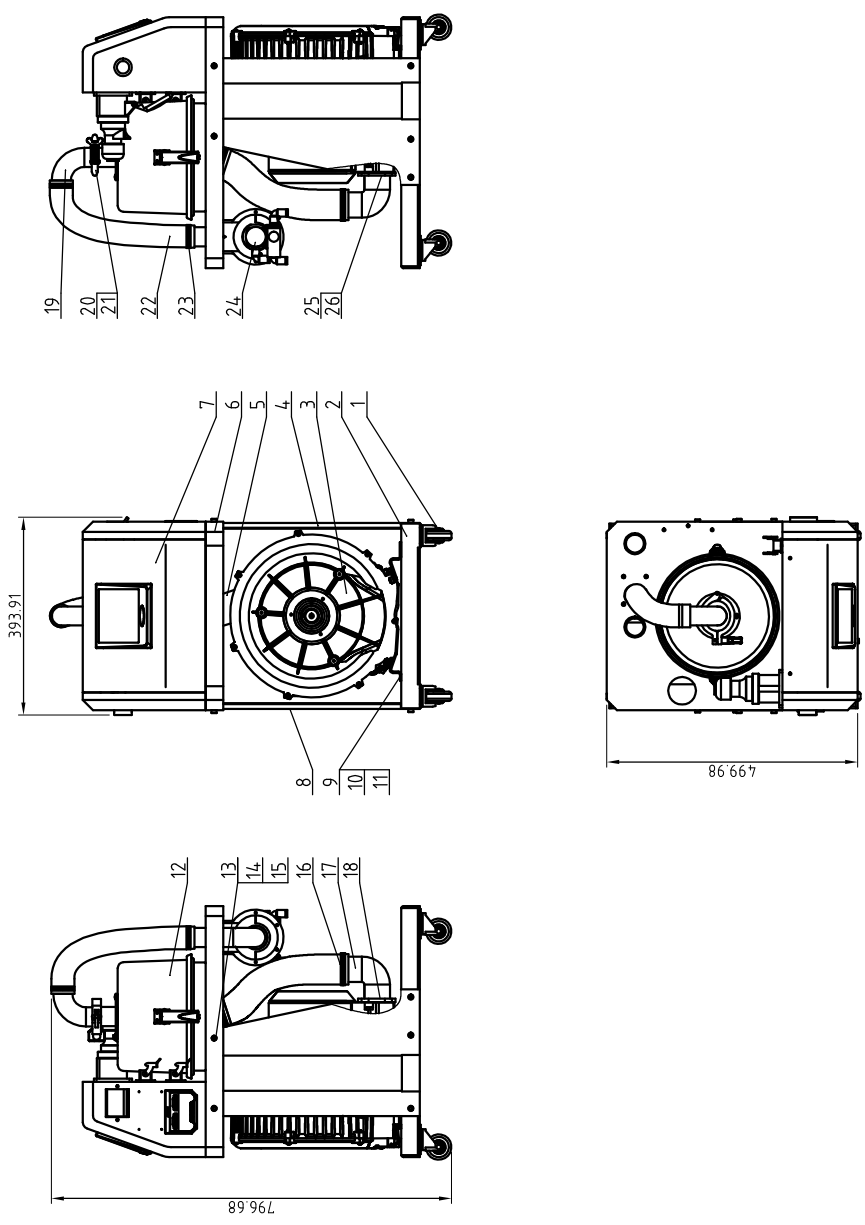






12	YW02003000400	Adjustable spring hook SAL-60A-35	Assembly	2	
11		Filter barrel suction flange	SUS201	1	
10	YW67041200600	Cross socket pan head self-tapping screw M4x2		4	
9	YR10243600000	Suction pipe round fastener SAL-24U/36U	Rubber	1	
8	YW09675100000	Small star nut 5/16 SHD-6~75(KG-01-SJ)	Alu. alloy	1	
7	YL22081000100	Transparent filter	PC	1	
6	BL20333640320	Filter barrel base	Assembly	1	
5	YR50708000100	Filter	Assembly	1	
4	YR10080000300	Filter barrel fastener	Rubber	1	
3	YR10243600000	Suction pipe round fastener SAL-24U/36U	Rubber	1	
2	BL20070000720	Filter barrel cover	SPCC1.5	1	
1	YR10080000000	Fastener	Rubber	1	
No.	Material number	Name	Mat.	Num.	Remarks

Title		Drawing no.		Scale	1:5	Num.	1
Filter Barrel Assembly		SAL-910G-C-ALL				Mat.	Assembly
Ver.	Draw.	App.	Desi.	Check	App.	by	Date
Mark	Before Mark	After Mod.	Modified by	Date	App.	by	Date
 <b>信易電熱機械股份有限公司</b> <b>Shini Plastics Technologies, Inc.</b>				Surface req.			
				Mat No.			

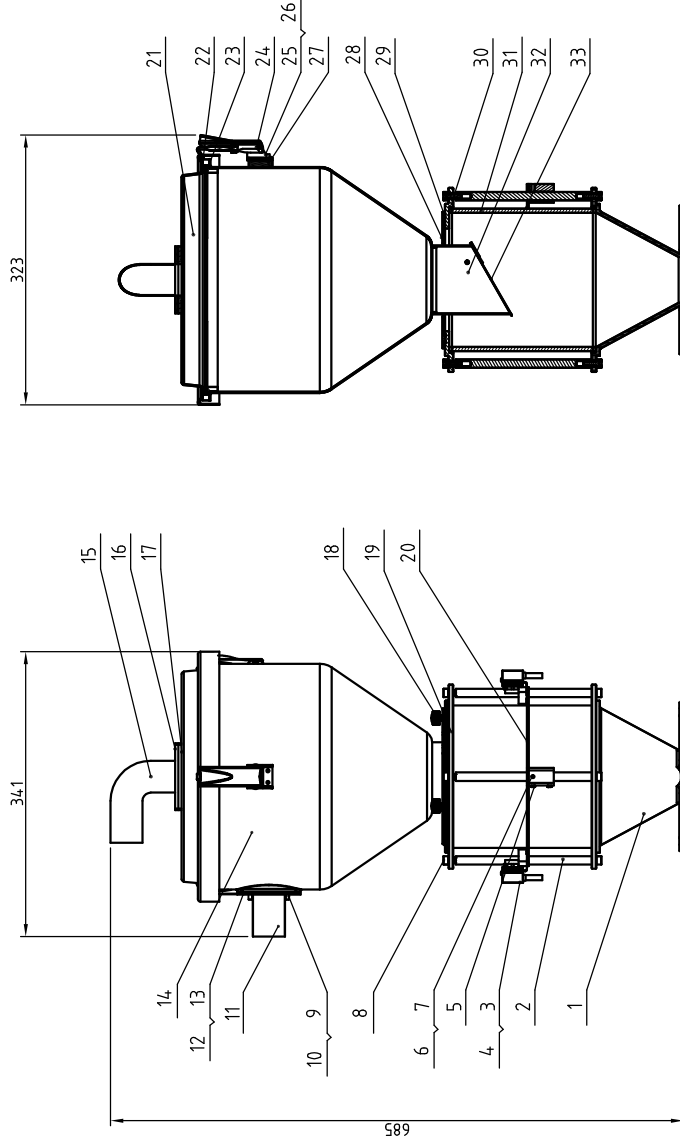


26	Foot pipe pressing screen	Q235	1
25	Foot pipe pressing screen sheet	SPCC2.5	1
24	Three-way valve	Assembly	1
23	Steel wire clamp 4mm Mat. No. 16 steel	Assembly	2
22	Steel wire hose 15" (PUB3552m/roll)	Assembly	10.35m
21	Stainless steel punching clamp seal ring 2" Silicon gel	Assembly	1
20	Stainless steel punching pipe clamp 2"	Assembly	1
19	Air suction pipe	Assembly	1
18	Motor suction port tightener 1HP	Rubber	1
17	Air suction pipe elbow	ABS	1
16	Pipe clamp φ57	Assembly	2
15	Standard spring washer GB/T193 6-Longzine		10
14	Flat gasket A grade GB/T1971 6-Longzine		10
13	Hexagon screw bolt GB/T5783 M16x8-4-Longzine		10
12	Filter assembly	Assembly	1
11	Standard spring washer GB/T193 8-Longzine		4
10	Large washer C grade GB/T19488 A2x2x1-Longzine		4
9	Hexagon screw bolt GB/T5783 M16x6-4-Longzine		4
8	Right side plate	SPCC2.0	1
7	Control box	Assembly	1
6	Fixed bracket	Assembly	1
5	Steel wire ext. PUR hose 2"	PUR 0.35m	
4	Left side plate	SPCC2.0	1
3	Shiniker®-4372193 300x230x140/50/50/26	Assembly	1
2	Base	SPCC2.0	1
1	Black castor 2"	Assembly	4

No.	Part No.	Name	Material	Num	Remarks
Title SAL-920G "Standard" Separate-vacuum Hopper Loader Version Approved by Date Designer Prosefread by Modified by Mark Before modification After modification Modify date Checked by Approved by Date					
Drawing No. SAL-920G-ALL Proportion 1:10			Material Assembly Surface		
信易熱機機股份有限公司 Shini Plastics Technologies, Inc.					

Notes: \* means easy broken part, and spare backup is suggested



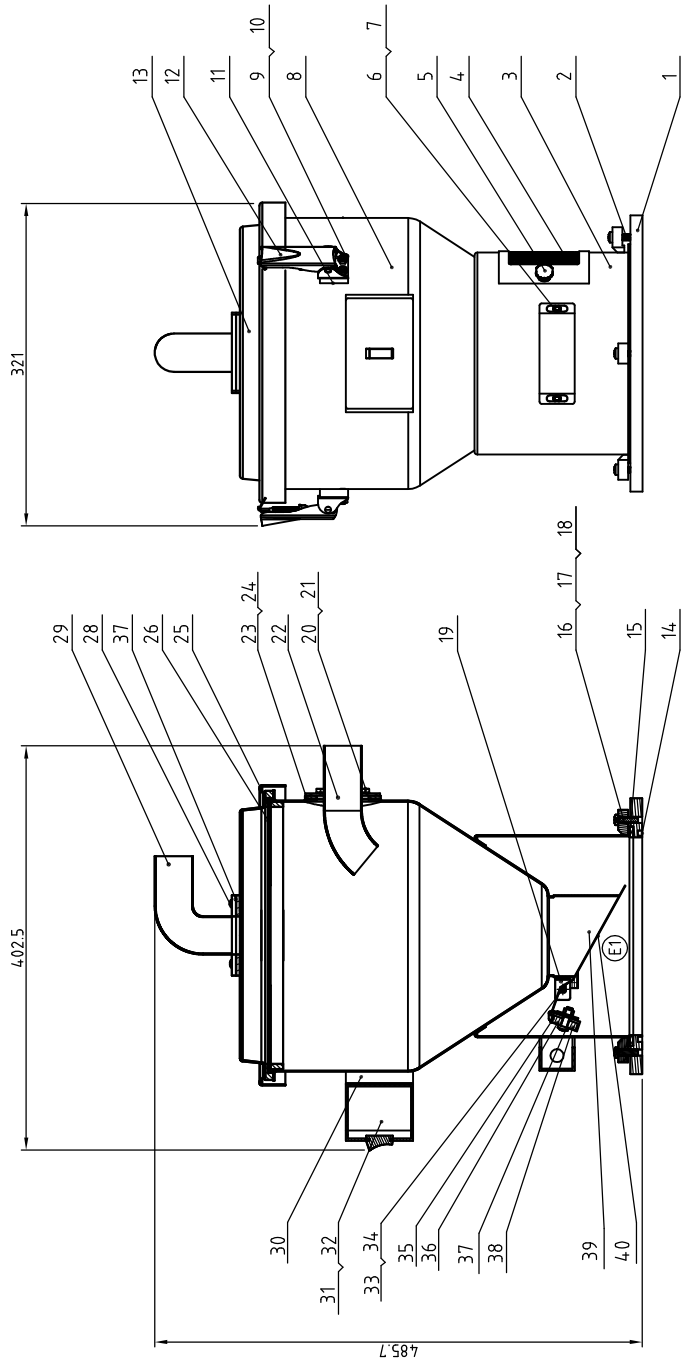


33	BL21001200520	Non-return piece	SUS201	1
32	BL21001200720	Mat. discharge port	SUS201	1
31	YW70717700000	Glass pipe $\phi 170 \times \phi 160 \times 170$	Glass	1
30	YR100001200100	Glass pipe fastener SVH-12L-A-0L-ver.3	Silical gel	2
29	BL90052003210	Ventilation flange	SUS201	1
28	BL21001201220	Hopper flange	SUS202	1
27	YR400006008000	Spring hook block SAL-6U	ABS	4
26	YW660408000000	Flat washer A grade GB/T971.1-Longzine		12
25	YW640407001000	Non-metal insert hex. lock nut GB/T6883.1M4		12
24	YW020030004000	Detachable spring hook	Assembly	4
23	YR100006002000	Hopper fastener	Rubber	1
22	BL21001200320	Filter screen	SUS201	1
21	BL21120700320	Hopper cover	SUS304	1
20	BL21001200120	Hopper fixed plate	SUS201	1
19	BW32001200110	Hopper pipe upper flange	SUS202	1
18	YW696216000000	Hand twist screw M6x15		3
17	YR100000000200	Air suction pipe fastener	Rubber	1
16	YW620515000000	Large cross socket flat head screw JIS1119M4.5-Longzine		4
15	BW200015000010	Air suction pipe	YL12	1
14		Material storage hopper	Assembly	1
13	YR100006003000	Material pipe fastener	Rubber	1
12	BL20036000320	Material pipe fixe piece	SUS201	1
11	BL320006000200	Material pipe	SUS201	1
10	YW660408000000	Flat washer A grade GB/T971.1-Longzine		4
9	YW660407001000	Non-metal insert hex. lock nut GB/T6883.1M4		4
8	YW610616012000	Non-metal insert hex. lock nut GB/T6883.1M4		8
7	YW316162000000	Photosensor cable pressure block	SUS201	1
6	YW630412001000	Cross socket pan head screw		4
5	YW680045000000	Hexagonal head screw GB/T177M4.5-Longzine		2
4	BL900010001200	Photo sensor fixed piece	YL12	1
3	YE151439000000	SVM FOTEK T18-3MM-PE	Assembly	1 pair
2	BH101016001100	Flange connecting rod	Q235A	4
1	BL210006107100	Glass pipe lower flange	SUS304	1

Title		SVH-12L		Drawing No.		SVH-12L-A-ALL	
Version				Approved by			
Designer				Checked by			
Proofread by				Date			
Modified by				Modify date			
After modification				Before modification			
Mark				Material		Remarks	
				1:6		1	
				Surface			
				Material number			



Tech. Req:  
 1. Main parameters:  
 a. Storage hopper capacity: 12L  
 b. Air source: 4-6kgf/cm<sup>2</sup>  
 c. Voltage: DC24V

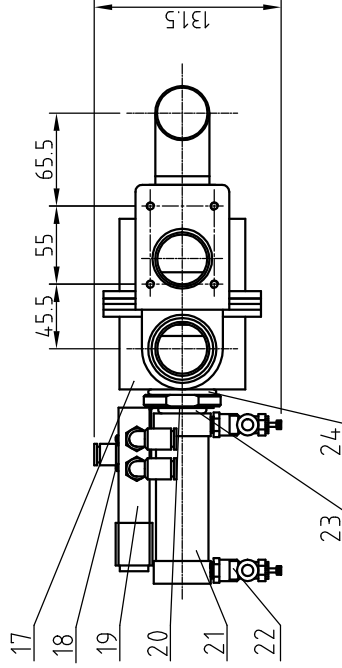
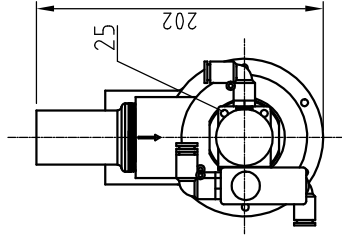
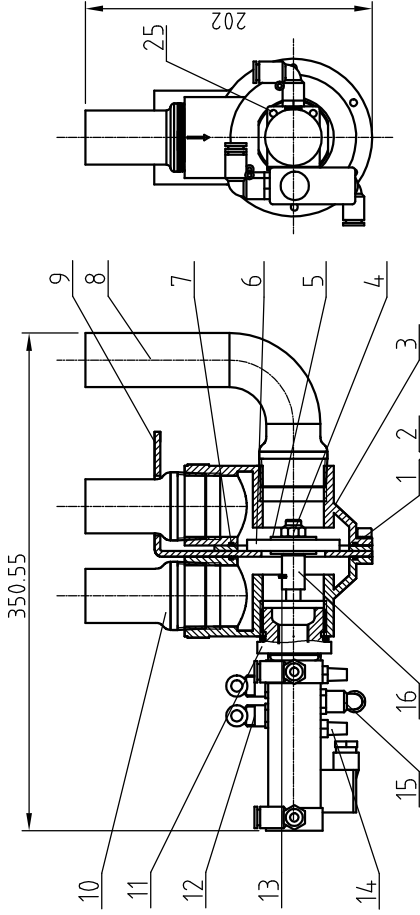


40	BL21000602320	Mat. discharge plate	SUS201	1
39	BL21001210220	Mat. discharge port	SUS201	1
38	BH21000600010	Magnetic sleeve	H58	1
37	YW90257700000	Permanent magnet piece φ25×φ7×7	Permanent magnet	1
36	YW63062000000	Cross socket pan head screw φ8×1.48×H24		1
35	BL21000600120	Magnetic cover	SUS201	1
34	YW63034000000	Cross socket pan head screw φ8×1.48×H34.0		1
33	YW64000300000	Lock nut M3		1
32	YW63040600000	Cross socket pan head screw M4×GB/T188		2
31	YR40010000200	Control box	ABS	1
30		Control box base	SUS201	1
29	BW20001500010	Air suction pipe	YL12	1
28	YW62051500000	Large cross socket flat head screw M5×6		4
27	YR10000000200	Air suction pipe fastener	Rubber	1
26	BL21000600620	Filter screen	SUS201	1
25	YR10000300100	Hopper fastener	Rubber	1
24	YR10000600300	Feed pipe fastener	Rubber	1
23	BL20036000320	Feed pipe fixed sheet	SUS201	1
22	BL32000600020	Feed pipe	SUS201	1
21	YW66040800000	Flat washer A grade φ8×1.48×H4.5-Long		4
20	YW64040700100	Non-metal insert hex. lock nut φ8×1.48×1.4		4
19	BL21000601120	Mat. discharge port fixed base	SUS201	1
18	YW66061300000	Flat washer A grade φ8×1.48×H6-Long		8
17	YW65006000000	Standard spring washer φ8×1.48×H6-Long		8
16	YW61062000300	Inner hex. column head screw φ8×1.48×H6-Long		6
15		Base fastener	EVA3.0	1
14	YR20205500000	O-type seal ring inner dia. φ20×5.5	Rubber	1
13	BL21001200220	Hopper cover	SUS201	1
12	YW02030000400	Adjustable spring hook S4L-φ4-A-38	Assembly	3
11	YR40000600800	Spring hook washer S4L-φ4	ABS	3
10	YW66040800000	Flat washer A grade φ8×1.48×H4.5-Long		10
9	YW64040700100	Non-metal insert hex. lock nut φ8×1.48×1.4		10
8		Material storage hopper	SUS304	1
7	YW63061000000	Cross socket pan head screw φ8×1.48×H6.1-Long		2
6	YR40000601100	Sensor shell	ABS	1
5	YR40061500000	Start handle	Assembly	2
4	YR40000601000	Ventilation window	ABS	1
3	BL21000601320	Hopper fixed base	SUS304	1
2	YW20000600500	Pressing block	YL112	4
1	YW20006000000	Base	YL112	1

No.	Part No.	Name	Material	Num.	Remarks
SHR-12U					
Drawing No. SHR-12U-A-ALL					
Title Assembly Drawing					
Version	Version	Version	Version	Version	Version
Approved by	Approved by	Approved by	Approved by	Approved by	Approved by
Date	Date	Date	Date	Date	Date
Modified by	Modified by	Modified by	Modified by	Modified by	Modified by
Modify date	Modify date	Modify date	Modify date	Modify date	Modify date
After modification	After modification	After modification	After modification	After modification	After modification
Before modification	Before modification	Before modification	Before modification	Before modification	Before modification
Mark	Mark	Mark	Mark	Mark	Mark



Scale	1:5
Material	Surface
Material number	

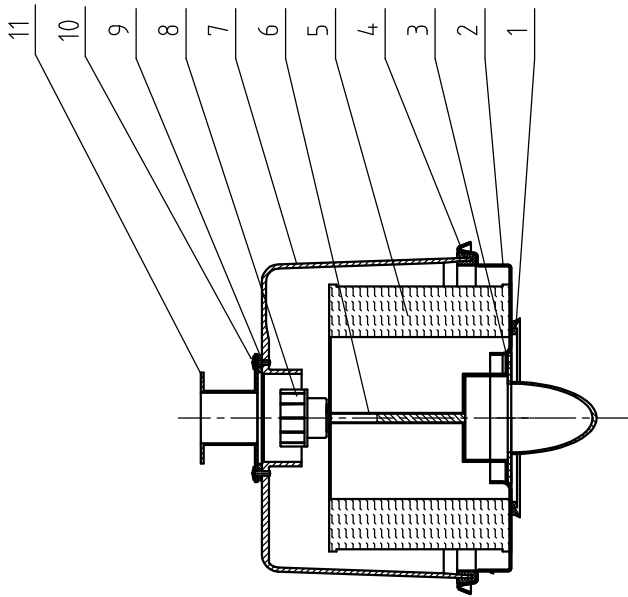
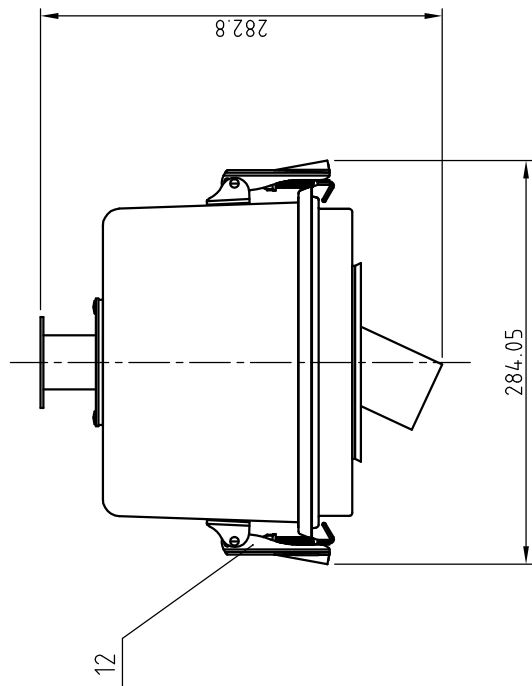


Notes: \* means easy broken part, and spare backup is suggested.

25	YW6304.0600000	Cross socket pan head screw GB/T-818 M4x6-Longzine		2
24	YR2004.4800000	O-type seal ring $\phi 48 \times \phi 4$	Rubber	1
23	YR20305000000	O-type seal ring $\phi 30 \times \phi 5$	Rubber	1
22	YW8006.1800000	Adjustable air pipe connector ASL6-1/8	Assembly	2
21	YE31125010000	Cylinder MBL25x50-U(AIRTAC)		1
20		Solenoid valve fixed piece	SPCC12	1
19	YE324.21600000	Solenoid valve 4V210-06 220V	Assembly	1
18	YW6304.2500000	Cross socket pan head screw GB/T-818 M4x25-Longzine		2
17	BH10090000210	Valve body 2	YL112	1
16	BH10906000110	Height increased iron rod	Q235A	1
15	YW8008.1800100	Air pipe connector ASL8-1/8	Assembly	1
14	YW80010800000	Muffler BSL-01	Assembly	2
13	YW6800.5500000	Inner hex. flat end lock screw GB/T777 M5x5-Longzine		1
12	YW8006.1800200	Air pipe connector ASL6-1/8	Assembly	2
11	BH13900700010	3-way valve connector	6061	1
10	BL22900000320	Air suction pipe 2	SUS201	2
9		3-way valve fixed plate	Assembly	1
8	BL22900000120	Air suction pipe 1	SUAS201	1
7	YR20258900000	O-type seal ring $\phi 89 \times \phi 2.5$ (ext. dia.)	Rubber	2
6	BR10651200040	3-way valve diaphragm 65x12x8mm	Assembly	1
5	YW66103200000	Large washer A grade GB/T96 10(10.5x30x2.5)-Longzine		2
4	YW64.101100000	Hex. lock nut M10 (Thickness: 11mm)		1
3	BH10090000510	Valve body 1	YL112	1
2	YW65006000000	Standard spring washer GB/T93 6-A2-70(SUS)		6
1	YW61062000300	Inner hex. column lock screw GB/T70.1 M6x20-P9-Longzine		6

Mark	Before Mark	After Mod.	Modified by	Date	App.	Check	Desi	Draw.	Ver.	Title	
										SAL-910G Three-way Valve	Drawing no. SAL-910G-A-ALL
										Scale	1:5
											Surface req.
											Mat No.
											Remarks
											Num.
											Mat.
											Num.
											1

**SHINI**  
**信易電熱機械股份有限公司**  
**Shini Plastics Technologies, Inc.**



12	YW02003000400	Adjustable spring hook SAL-6U-A-35	Assembly	2
11		Filter barrel suction flange	SUS201	1
10	YW67041200600	Cross socket pan head self-tapping screw M4x2		4
9	YR10243600000	Suction pipe round fastener SAL-24U/36U	Rubber	1
8	YW09675100000	Small star nut 5/16 STD-6~75KG-01-SJ Alu. alloy		1
7	YL22081000100	Transparent filter	PC	1
6	BL20333640320	Filter barrel base	Assembly	1
5	YR50708000100	Filter	Assembly	1
4	YR10080000300	Filter barrel fastener	Rubber	1
3	YR10243600000	Suction pipe round fastener SAL-24U/36U	Rubber	1
2	BL20070000720	Filter barrel cover	SPCC1.5	1
1	YR10080000000	Fastener	Rubber	1
No.	Material number	Name	Mat.	Num.

Mark	Before	Mark	After	Mod.	Modified by	Date	App.	Check	Desi.	Draw.	Ver.	Title		Remarks		
												SAL-910G	Filter Barrel Assembly			
													Scale	1:5	Num.	1
															Mat.	Assembly
													Surface req.			
													Mat No.			

Drawing no.  
SAL-910G-C-ALL

**SHINI**  
信易電熱機械股份有限公司  
Shini Plastics Technologies, Inc.