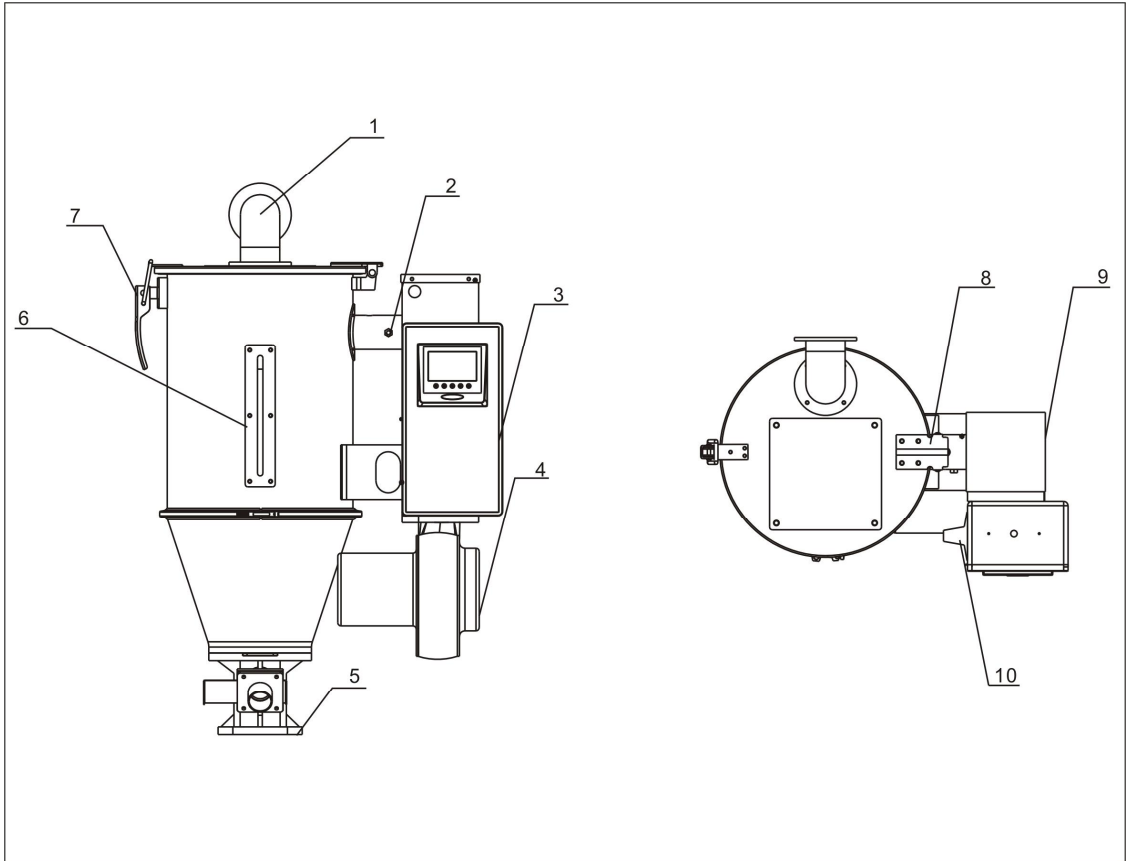


1. Assembly Drawing (SEHD-25)



Remarks: Please refer to material list 2 for specific explanation of the Arabic numbers in parts drawing.

2. Parts List (SEHD-25)

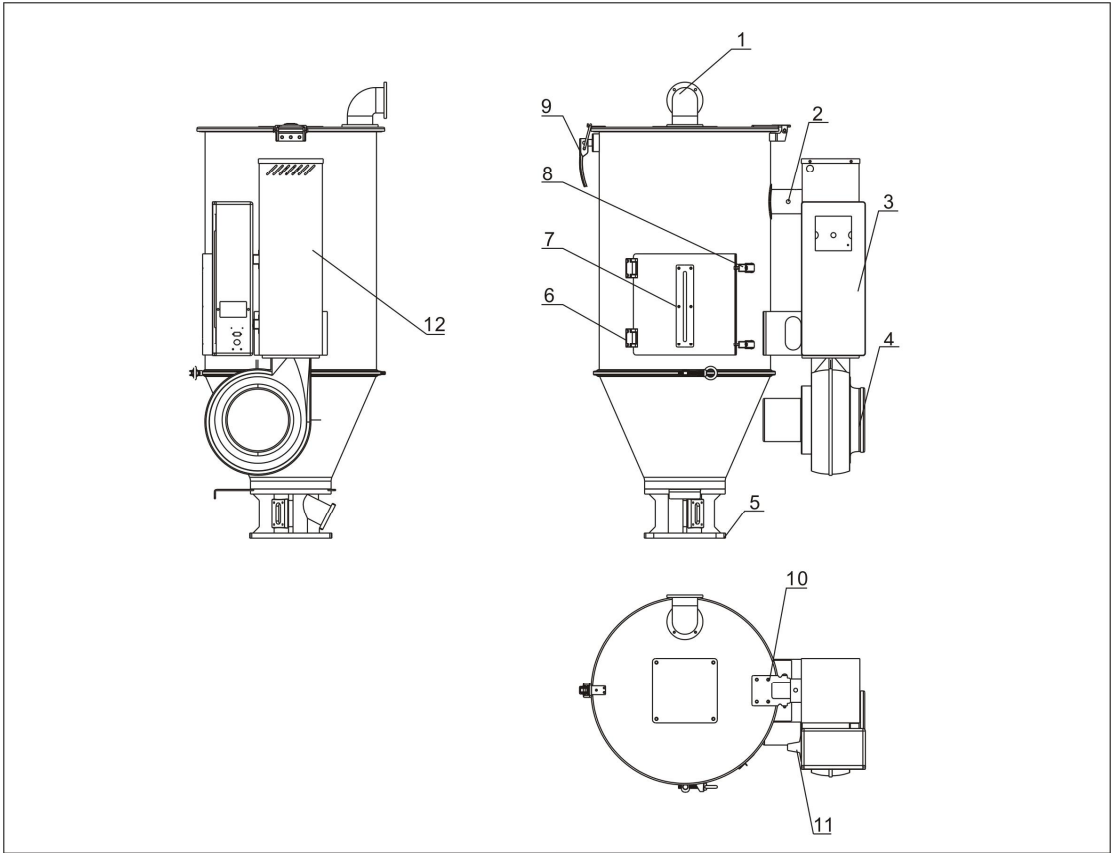
NO.	Name	Part NO.
1	Exhaust pipe	BA10251000010
2	Thermocouple *	BE90565800050
3	Control box **	BH31250000650
4	Drying blower*	BM40002500350
5	Base	BY10050003150
6	Sight glass	YW09000600000
	Sight glass acryl	YR40001200000
	Sight glass fastener	YR40000600000
7	Handle	YW00121000000
8	Hopper cover	YW06125040000
9	EGO *	BH90115000150
10	Pipe heater **	BH70250302150

* means possible broken parts.

** means easy broken parts and spare backup is suggested.

Please confirm the version of manual before placing the purchase order to guarantee that the item number of the spare part is in accordance with the real object.

3. Assembly Drawing (SEHD-100)



Remarks: Please refer to material list 4 for specific explanation of the Arabic numbers in parts drawing.

4. Parts List (SEHD-100)

NO.	Name	Part NO.
1	Exhaust pipe	BA10251000010
2	Thermocouple *	BE90565800050
3	Control box **	BH13010020650
4	Drying blower*	BM40004000150
5	Base	BY10200000050
6	Hinge	BH10000012510
7	Sight glass	YW09000600000
	Sight glass acryl	YR40001200000
	Sight glass fastener	YR40000600000
8	Hasp	YW09005800000
9	Handle	YW00121000000
10	Hopper cover	YW06102000000
11	EGO *	BH90115000150
12	Pipe heater **	BH70160600250

* means possible broken parts.

** means easy broken parts and spare backup is suggested.

Please confirm the version of manual before placing the purchase order to guarantee that the item number of the spare part is in accordance with the real object.