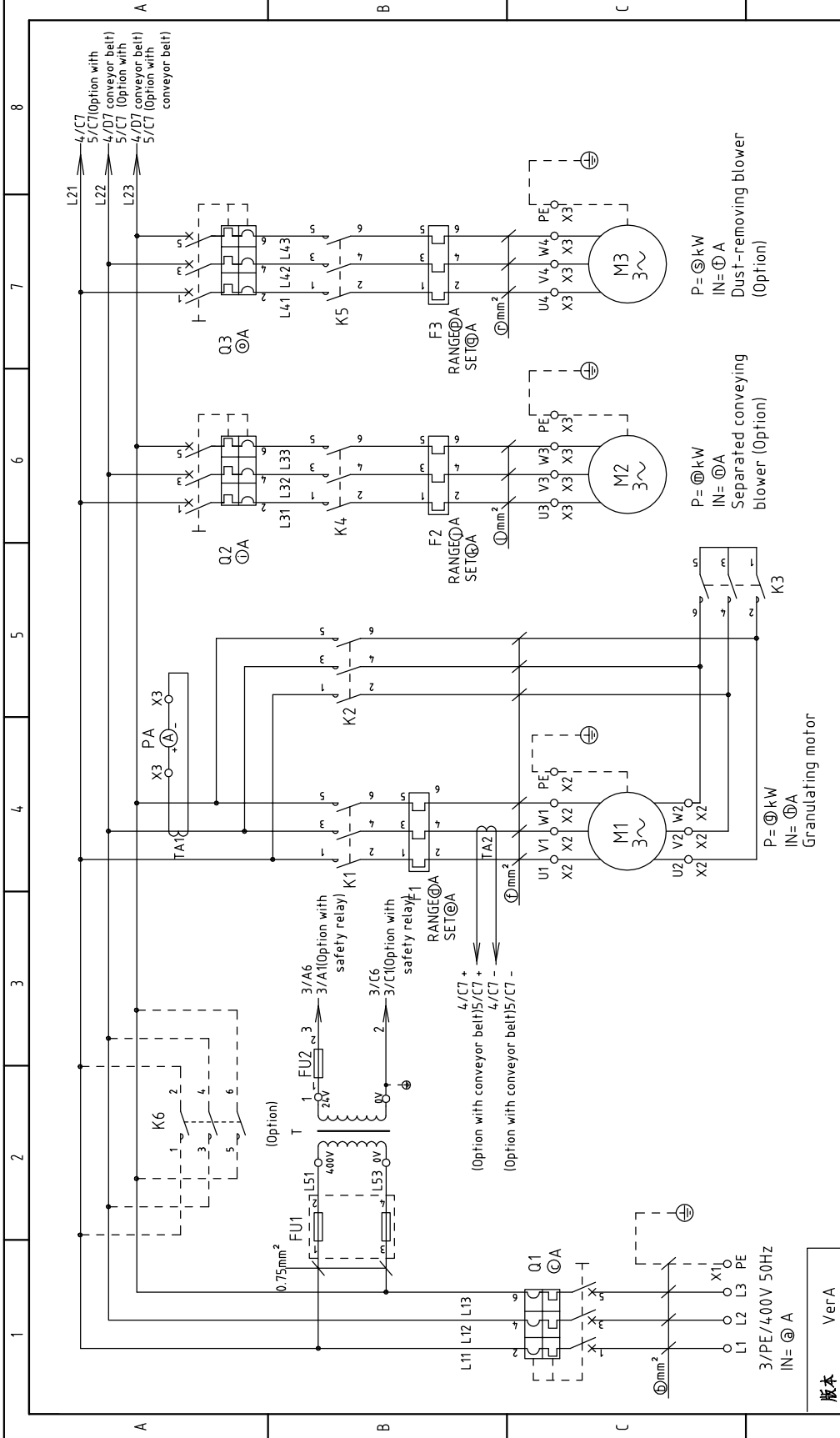
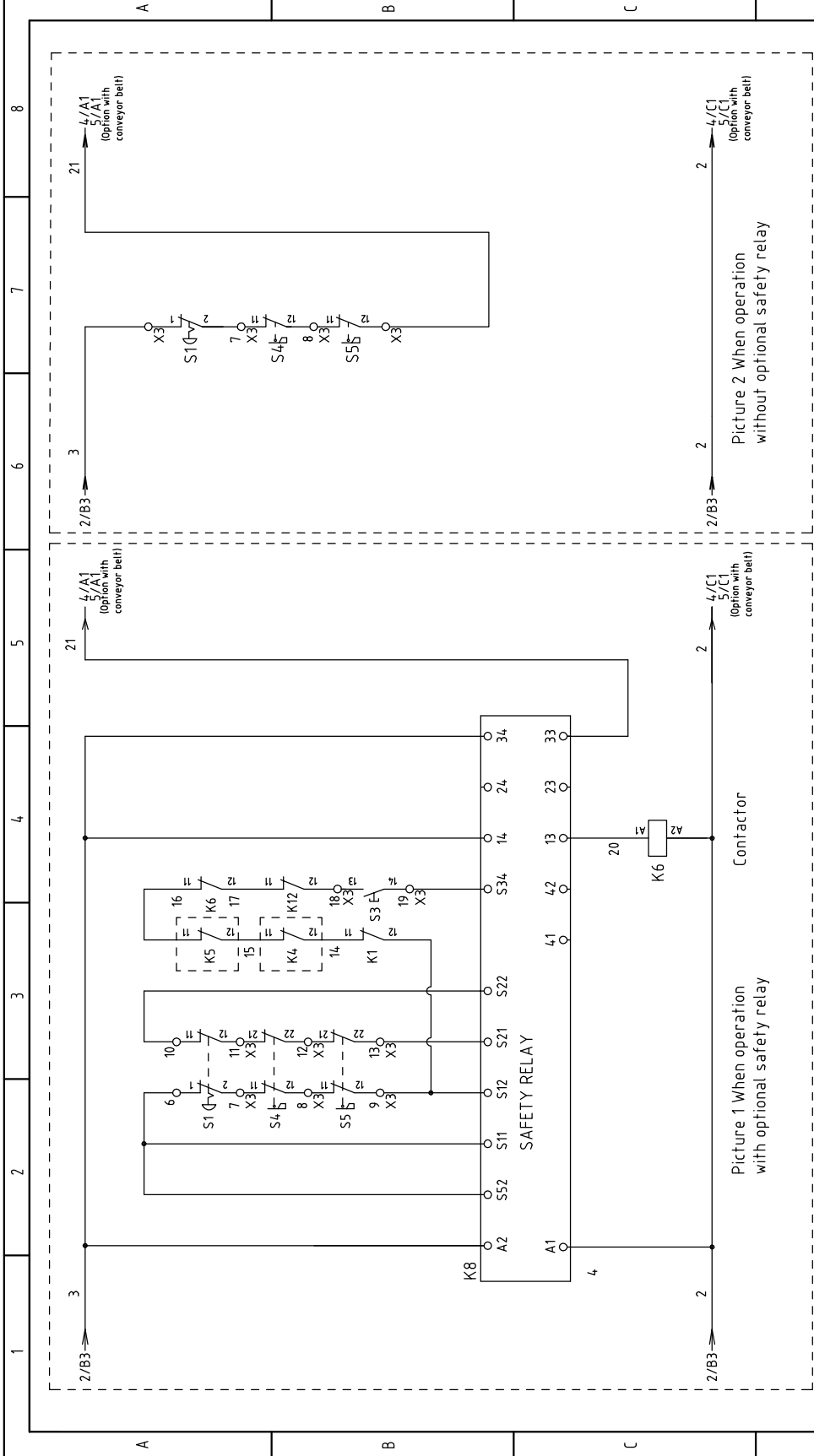


1	2	3	4	5	6	7	8																																																																																																																	
<p>③ Main current</p> <p>④ Main power wire dia.</p> <p>⑤ The rated current of main power switch</p> <p>⑥ Granulating motor overload relay</p>		<p>⑦ Default granulating motor overload relay</p> <p>⑧ Granulating motor wire diameter</p> <p>⑨ Granulating motor power main power switch</p> <p>⑩ Granulating motor current overload relay</p>		<p>⑪ Conveying blower breaker rated current</p> <p>⑫ Conveying blower overload relay</p> <p>⑬ Conveying blower power</p> <p>⑭ Conveying blower current</p> <p>⑮ Dust-removing blower breaker rated current</p> <p>⑯ Dust-removing blower overload relay</p>		<p>⑰ Default dust-removing blower overload relay</p> <p>⑱ Dust-removing blower wire dia.</p> <p>⑲ Dust-removing blower power</p> <p>⑳ Dust-removing blower current</p>																																																																																																																		
<table border="1"> <thead> <tr> <th rowspan="2">Symbol Mode</th> <th colspan="6">Granulator Parameter</th> </tr> <tr> <th>Ⓐ</th> <th>Ⓑ</th> <th>Ⓒ</th> <th>Ⓓ</th> <th>Ⓔ</th> <th>Ⓕ</th> </tr> </thead> <tbody> <tr> <td>SG-4360B</td> <td>62.8</td> <td>25</td> <td>125</td> <td>28-40</td> <td>33</td> <td>6</td> <td>30</td> <td>56</td> <td>①</td> <td>②</td> <td>③</td> <td>④</td> <td>⑤</td> </tr> <tr> <td>SG-4360B(H)/4390B</td> <td>74.8</td> <td>25</td> <td>160</td> <td>36-45</td> <td>40</td> <td>10</td> <td>37</td> <td>68</td> <td>⑥</td> <td>⑦</td> <td>⑧</td> <td>⑨</td> <td>⑩</td> </tr> <tr> <td>SG-4390B(H)</td> <td>88.8</td> <td>35</td> <td>200</td> <td>45-63</td> <td>47.5</td> <td>16</td> <td>45</td> <td>82</td> <td>⑪</td> <td>⑫</td> <td>⑬</td> <td>⑭</td> <td>⑮</td> </tr> </tbody> </table>		Symbol Mode	Granulator Parameter						Ⓐ	Ⓑ	Ⓒ	Ⓓ	Ⓔ	Ⓕ	SG-4360B	62.8	25	125	28-40	33	6	30	56	①	②	③	④	⑤	SG-4360B(H)/4390B	74.8	25	160	36-45	40	10	37	68	⑥	⑦	⑧	⑨	⑩	SG-4390B(H)	88.8	35	200	45-63	47.5	16	45	82	⑪	⑫	⑬	⑭	⑮	<table border="1"> <thead> <tr> <th colspan="6">Optional conveying blower</th> </tr> <tr> <th>①</th> <th>②</th> <th>③</th> <th>④</th> <th>⑤</th> <th>⑥</th> </tr> </thead> <tbody> <tr> <td>10</td> <td>3.5-5</td> <td>4.4</td> <td>1.5</td> <td>2.2</td> <td>4.4</td> </tr> <tr> <td>10</td> <td>3.5-5</td> <td>4.4</td> <td>1.5</td> <td>2.2</td> <td>4.4</td> </tr> <tr> <td>10</td> <td>3.5-5</td> <td>4.4</td> <td>1.5</td> <td>2.2</td> <td>4.4</td> </tr> </tbody> </table>		Optional conveying blower						①	②	③	④	⑤	⑥	10	3.5-5	4.4	1.5	2.2	4.4	10	3.5-5	4.4	1.5	2.2	4.4	10	3.5-5	4.4	1.5	2.2	4.4	<table border="1"> <thead> <tr> <th colspan="6">Optional dust-removing blower</th> </tr> <tr> <th>①</th> <th>②</th> <th>③</th> <th>④</th> <th>⑤</th> <th>⑥</th> </tr> </thead> <tbody> <tr> <td>6</td> <td>2.2-3.2</td> <td>2.2</td> <td>1.5</td> <td>1.1</td> <td>2.2</td> </tr> <tr> <td>6</td> <td>2.2-3.2</td> <td>2.2</td> <td>1.5</td> <td>1.1</td> <td>2.2</td> </tr> <tr> <td>6</td> <td>2.2-3.2</td> <td>2.2</td> <td>1.5</td> <td>1.1</td> <td>2.2</td> </tr> </tbody> </table>		Optional dust-removing blower						①	②	③	④	⑤	⑥	6	2.2-3.2	2.2	1.5	1.1	2.2	6	2.2-3.2	2.2	1.5	1.1	2.2	6	2.2-3.2	2.2	1.5	1.1	2.2
Symbol Mode	Granulator Parameter																																																																																																																							
	Ⓐ	Ⓑ	Ⓒ	Ⓓ	Ⓔ	Ⓕ																																																																																																																		
SG-4360B	62.8	25	125	28-40	33	6	30	56	①	②	③	④	⑤																																																																																																											
SG-4360B(H)/4390B	74.8	25	160	36-45	40	10	37	68	⑥	⑦	⑧	⑨	⑩																																																																																																											
SG-4390B(H)	88.8	35	200	45-63	47.5	16	45	82	⑪	⑫	⑬	⑭	⑮																																																																																																											
Optional conveying blower																																																																																																																								
①	②	③	④	⑤	⑥																																																																																																																			
10	3.5-5	4.4	1.5	2.2	4.4																																																																																																																			
10	3.5-5	4.4	1.5	2.2	4.4																																																																																																																			
10	3.5-5	4.4	1.5	2.2	4.4																																																																																																																			
Optional dust-removing blower																																																																																																																								
①	②	③	④	⑤	⑥																																																																																																																			
6	2.2-3.2	2.2	1.5	1.1	2.2																																																																																																																			
6	2.2-3.2	2.2	1.5	1.1	2.2																																																																																																																			
6	2.2-3.2	2.2	1.5	1.1	2.2																																																																																																																			
<table border="1"> <thead> <tr> <th colspan="6">Optional large power blower</th> </tr> <tr> <th>①</th> <th>②</th> <th>③</th> <th>④</th> <th>⑤</th> <th>⑥</th> </tr> </thead> <tbody> <tr> <td>32</td> <td>14-20</td> <td>16</td> <td>2.5</td> <td>7.5</td> <td>16</td> </tr> <tr> <td>32</td> <td>14-20</td> <td>16</td> <td>2.5</td> <td>7.5</td> <td>16</td> </tr> <tr> <td>32</td> <td>14-20</td> <td>16</td> <td>2.5</td> <td>7.5</td> <td>16</td> </tr> </tbody> </table>		Optional large power blower						①	②	③	④	⑤	⑥	32	14-20	16	2.5	7.5	16	32	14-20	16	2.5	7.5	16	32	14-20	16	2.5	7.5	16	<p>① Main current</p> <p>② Main power wire dia.</p> <p>③ The rated current of main power switch</p> <p>④ Granulating motor overload relay</p> <p>⑤ Default granulating motor overload relay</p> <p>⑥ Granulating motor wire diameter</p> <p>⑦ Granulating motor power main power switch</p> <p>⑧ Granulating motor current overload relay</p> <p>⑨ Conveying blower breaker rated current</p> <p>⑩ Conveying blower overload relay</p> <p>⑪ Conveying blower power</p> <p>⑫ Conveying blower current</p> <p>⑬ Dust-removing blower breaker rated current</p> <p>⑭ Dust-removing blower overload relay</p> <p>⑮ Dust-removing blower power</p> <p>⑯ Dust-removing blower current</p>																																																																																								
Optional large power blower																																																																																																																								
①	②	③	④	⑤	⑥																																																																																																																			
32	14-20	16	2.5	7.5	16																																																																																																																			
32	14-20	16	2.5	7.5	16																																																																																																																			
32	14-20	16	2.5	7.5	16																																																																																																																			
<p>VerA</p>		<table border="1"> <thead> <tr> <th>Before modification</th> <th>After modification</th> <th>Modified by</th> <th>Modify date</th> <th>Checked by</th> <th>Proofread by</th> <th>Designer</th> <th>Drawer</th> <th>Version</th> <th>B</th> <th>Title</th> <th>Drawing NO.</th> <th>Scale</th> <th>Page</th> </tr> </thead> <tbody> <tr> <td></td> <td></td> <td></td> <td></td> <td></td> <td></td> <td></td> <td></td> <td></td> <td></td> <td>SG-4360B(H)/4390B(H) Parameter List of Circuit Diagram</td> <td>SG-43B系列-CE-400V-B-1</td> <td>Standard</td> <td>1</td> </tr> <tr> <td></td> <td></td> <td></td> <td></td> <td></td> <td></td> <td></td> <td></td> <td></td> <td></td> <td></td> <td></td> <td></td> <td>Totally 15</td> </tr> <tr> <td></td> <td></td> <td></td> <td></td> <td></td> <td></td> <td></td> <td></td> <td></td> <td></td> <td></td> <td></td> <td></td> <td>Pages 4-00V</td> </tr> <tr> <td></td> <td></td> <td></td> <td></td> <td></td> <td></td> <td></td> <td></td> <td></td> <td></td> <td></td> <td></td> <td></td> <td>Frequency 50Hz</td> </tr> </tbody> </table>						Before modification	After modification	Modified by	Modify date	Checked by	Proofread by	Designer	Drawer	Version	B	Title	Drawing NO.	Scale	Page											SG-4360B(H)/4390B(H) Parameter List of Circuit Diagram	SG-43B系列-CE-400V-B-1	Standard	1														Totally 15														Pages 4-00V														Frequency 50Hz																																											
Before modification	After modification	Modified by	Modify date	Checked by	Proofread by	Designer	Drawer	Version	B	Title	Drawing NO.	Scale	Page																																																																																																											
										SG-4360B(H)/4390B(H) Parameter List of Circuit Diagram	SG-43B系列-CE-400V-B-1	Standard	1																																																																																																											
													Totally 15																																																																																																											
													Pages 4-00V																																																																																																											
													Frequency 50Hz																																																																																																											
<p>Mark</p>		<p>SHINI 信易塑料机械股份有限公司 Shini Plastics Technologies, Inc.</p>																																																																																																																						
1	2	3	4	5	6	7	8																																																																																																																	



版本 VerA

Title		Drawing No.		Page	2
SG-4360B(H)/4390B(H)		SG-43B系列-CE-400V-B-2		Scale	CE
Main Circuit Diagram				Standard	Voltage
					400V
					Frequency
					50Hz
				Totally	15
				Pages	
Mark	Before modification	After modification	Modify Date	Date	20171107
Checked by	Checked by	Checked by	Checked by	Date	20171107
Proofread by	Proofread by	Proofread by	Proofread by	Date	
Designer	Designer	Designer	Designer	Date	
Version	Version	Version	Version	Date	
SHINI		信易塑料机械股份有限公司		SHINI	
SHINI		Shini Plastics Technologies, Inc.		SHINI	

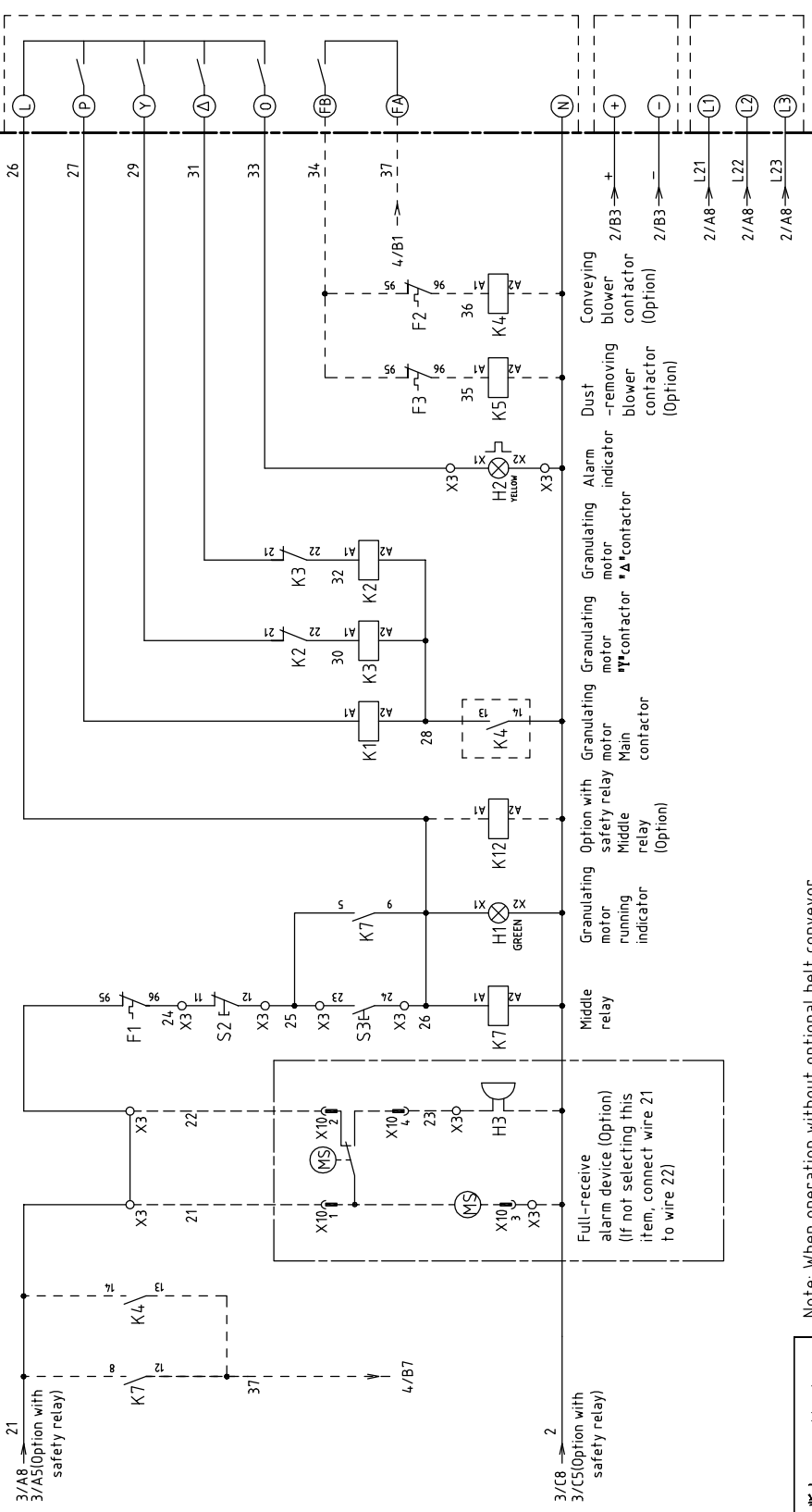


版本	VerA
Mark	Before modification
	Modified by
	Modify date
	Checked by
	Proofread by
	Designer
	Drawer
	Version
	Approved by
	Date
	20171107

Title		Drawing NO.	
SG-4360B(H)/4.390B(H)		SG-438B系列-CE-400V-B-3	
Control Circuit Diagram		Scale	Page 3
		Standard	Totally 15 Pages
		Voltage	4.00V
		Frequency	50HZ



PCB(AB-02)



Note: When operation without optional belt conveyor.

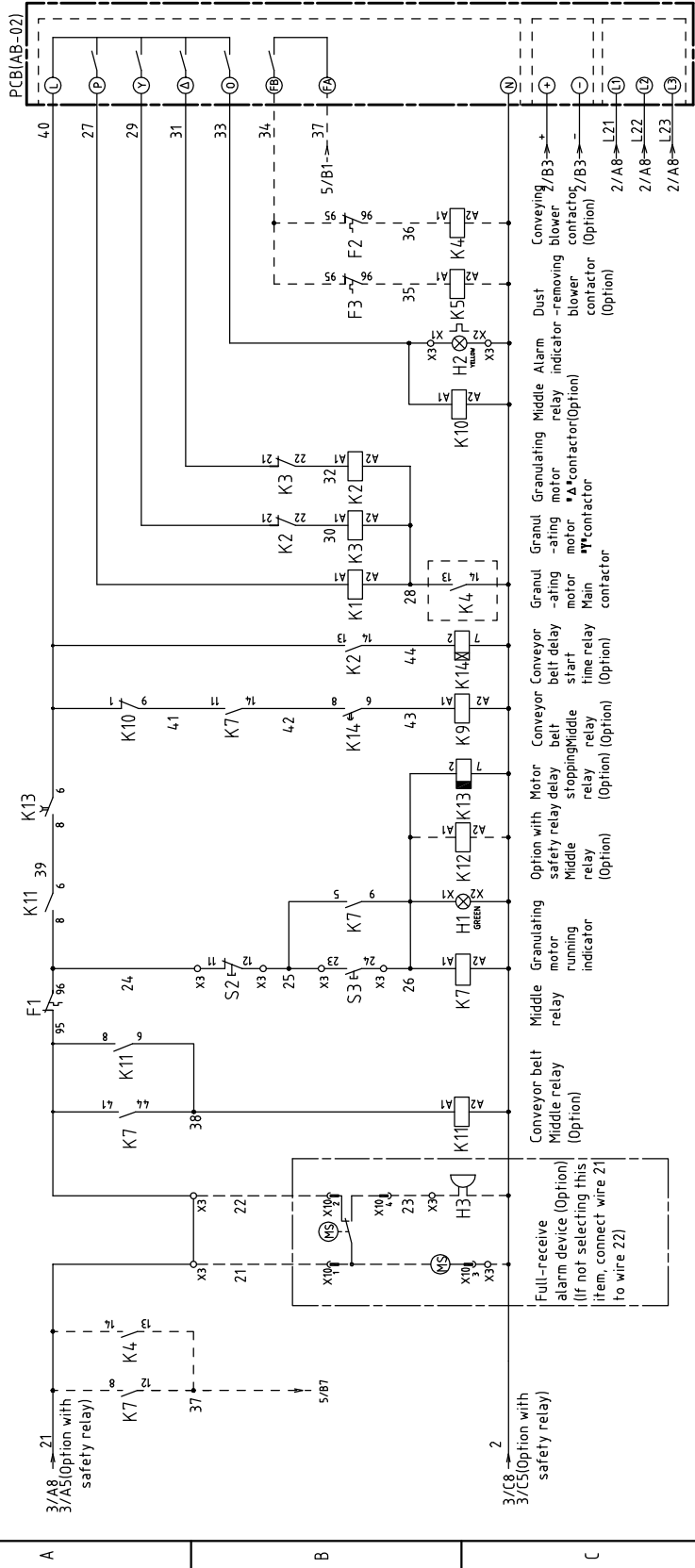
版本	VerA
Mark	Before modification
After modification	Modified by
Modify date	20171107
Checked by	
Proofread by	
Designer	
Drawer	
Version	B
Approved by	
Date	20171107

Title  
SG-4360B(H)/4390B(H)  
Control Circuit Diagram



Drawing NO.  
SG-43B系列-CE-400V-B-4

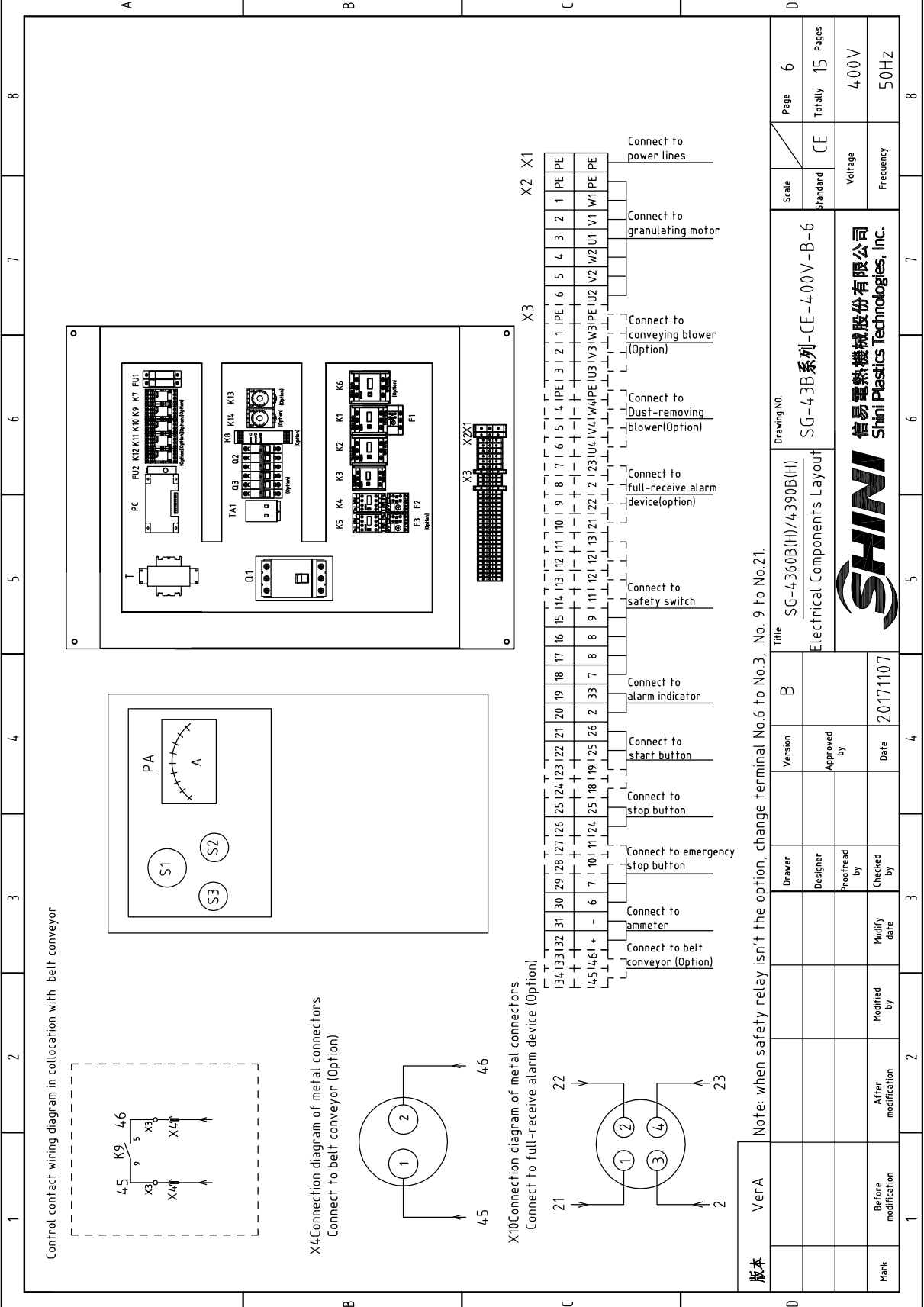
Scale	4
Standard	CE
Voltage	400V
Frequency	50HZ
Page	4
Totally	15
Pages	



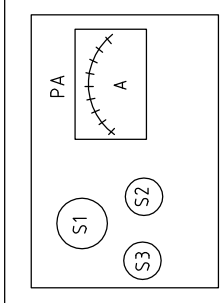
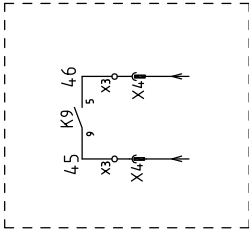
Note: When operation with optional belt conveyor.

版本 Ver.A		Drawing NO.		Page	5
Title		SG-4360B(H)/4.390B(H)		Scale	CE
Control Circuit Diagram		SG-43B系列-CE-400V-B-5		Standard	CE
Version		B		Voltage	
Designer		Approved by		Frequency	
Proofread by		Date		4.00V	
Checked by		20171107		5.0Hz	
Before modification		Modified by		Totally	
After modification		Modify date		15	
Mark		Date		Pages	
1		4		8	
2		3		7	
3		2		6	
4		1		5	
5		8		4	
6		7		3	
7		6		2	
8		5		1	

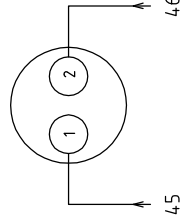




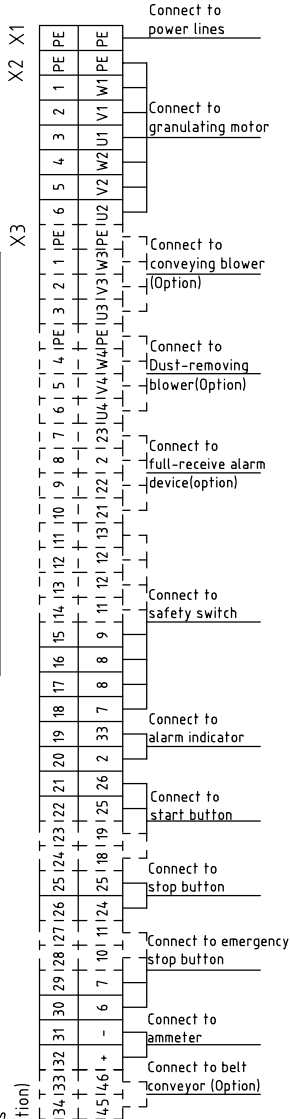
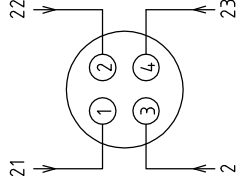
Control contact wiring diagram in collocation with belt conveyor



X4 Connection diagram of metal connectors  
Connect to belt conveyor (Option)



X10 Connection diagram of metal connectors  
Connect to full-receive alarm device (Option)




Ver A	Note: when safety relay isn't the option, change terminal No.6 to No.3, No. 9 to No.21.	
-------	---	--

Mark	Before modification	After modification	Modify date	Date
				20171107
Drawer	Designer	Proofread by	Checked by	
Version	Approved by		Date	
B				

Title		Drawing No.	
SG-4360B(H)/4.390B(H)		SG-43B系列-CE-400V-B-6	
Electrical Components Layout		Scale	Page
		Standard	6
		CE	Totally 15
		Voltage	4.00V
		Frequency	5.0Hz
SHINI 信易塑料机械股份有限公司 Shini Plastics Technologies, Inc.			

1	2		3	4	5	6	7	8			
NO.	Symbol	Name	Manufacturer	Type	Specification	Number	Material number	Remark			
1	Q1	Breaker interlock	ABB	A1A125TMF125	125A	1	YE41161400000				
2	Q2	Circuit-breaker	TECO	BM-63C/3P	10A	1	YE40301003000	(6)			
3	Q2	Circuit-breaker	TECO	BM-63C/3P	32A	1	YE40303203000	(7)			
4	Q3	Circuit-breaker	TECO	BM-63C/3P	6A	1	YE40300603000	(2)			
5	K1,K2	Contactor	SIEMENS	3RT5035-1AC20	24VAC 50/60Hz	2	YE00503502600				
6		Auxiliary contactor	SIEMENS	3RH5921-1CA01	1NC	1	YE00592110100	(4)			
7		Auxiliary contactor	SIEMENS	3RH5921-1CA01	1NC	1	YE00592110100				
8		Auxiliary contactor	SIEMENS	3RH5921-1CA10	1NO	1	YE00592110000	(5)			
9	K3	Contactor	SIEMENS	3RT6028-1AC20	24VAC 50/60Hz	1	YE00602802600				
10	K4	Contactor	SIEMENS	3RT6016-1AB01	24VAC 50/60Hz	1	YE00601602500	(6)			
11	K4	Contactor	SIEMENS	3RT6026-1AB01	24VAC 50/60Hz	1	YE00602602600	(7)			
12		Auxiliary contactor	SIEMENS	3RH6911-1HA11	1NC+1NO	1	YE00691100100	(6)			
13	K5	Contactor	SIEMENS	3RT6016-1AB02	24VAC 50/60Hz	1	YE00601602600	(2)			
14	K6	Contactor	SIEMENS	3RT5045-1AC20	24VAC 50/60Hz	1	YE00504502600	(4)			
15		Auxiliary contactor	SIEMENS	3RH5921-1CA01	1NC	1	YE00592110100	(4)			
16	K7	Middle relay	Honeywell	GR-2C-AC24V	24VAC	1	YE03022400300				
17	K7	Middle relay	Honeywell	GR-4C-AC24V	24VAC	1	YE03042400300	(5)			
18	K8	Safety relay	PILZ	PNOZx2.8P	24V AC/DC	1	YE04023000000	(4)			
19	T	Transformer	BAIYUN	IN=400V/OUT=24V	180VA	1	YE70402400800				
20	K9 K10 K11	Middle relay	Honeywell	GR-2C-AC24V	24VAC	3	YE03022400300	(5)			
21	K12	Middle relay	Honeywell	GR-2C-AC24V	24VAC	1	YE03022400300	(4)			
22	K13	Timer	YUYUN	TRF-N/3M	24VAC	1	YE86032400000	(5)			
23	K14	Timer	YUYUN	TH3A-NAB 60S	24VAC	1	YE86602400300	(5)			
24	F1	Overload relay	SIEMENS	3RU5136-4FB0	28-40A	1	YE01513600100				
25	F2	Overload relay	SIEMENS	3RU6116-1FB0	3.5-5A	1	YE01160350000	(6)			
版本	Ver A			Notes: (1) Means it's not the material inside the control box. (2) Means optional accessories of dedusting blower. (3) Means optional accessories of full-receive alarm device. (4) Stand for optional safety relay. (5) Stand for conveying belt optional accessories. (6) Means accessories for material conveying blower. (7) Stand for options of the feeding blower to increase the power.							
				Title	SG-4360B	Drawing NO.	SG-43B系列-CE-400V-B-7	Scale	CE	Page	7
				Electrical Components List 1				Standard	Voltage	Frequency	Pages
									400V	50HZ	15
				Designer	Approved by	Date	20171107				
				Drawer	Version	Proofread by	Checked by	Modified by	Modify date		
				After modification	Modified by	Modify date					
				Before modification	Modified by	Modify date					
1	2		3	4	5	6	7	8			



1		2		3		4		5		6		7		8	
NO.	Symbol	Name	Manufacturer	Type	Specification	Number	Material number	Remark							
26	F2	Overload relay	SIEMENS	3RU6126-4BB0	14-20A	1	YE01260140000	(7)							
27	F3	Overload relay	SIEMENS	3RU6116-1DB0	2.2-3.2A	1	YE01160220000	(2)							
28	FU1	Fuse	CHINT	MRO/32A/2P	2P	1	YE41032200000								
29	FU2	Fuse core	CHINT	10x38 500V	2A	2	YE46002000100								
30	FU2	Fuse	YINDA	FS-10	---	1	YE41001000000								
31		Glass tube	----	6x30	8A	1	<b>YE46863000200</b>								
32	S1	Emergency stop button	SCHNEIDER	XB2BS542C	400VAC	1	YE11254200000	(1)							
33		Contact block	SCHNEIDER	ZB2BE102C	1NC	1	YE00210203100	(1)(4)							
34	S2	Stop button	SCHNEIDER	XB2BA22C	400VAC	1	YE11222000000	(1)							
35	S3,H1	Start button	SCHNEIDER	XB2BW33B1C	24VAC	1	YE11233100000	(1)							
36		Contact block	SCHNEIDER	ZB2BE101C	1NO	1	YE00210103100	(1)(4)							
37	S4,S5	Safety switch	SCHMERSRC	AZ15-02ZVRK-1476	24VAC	2	YE16147600100	(1)							
38	S4,S5	Safety switch	SCHMERSRC	AZ16-02ZVRK-1476	24VAC	2	YE16147600000	(1)(4)							
39	H2	Alarm light	SHINI	LED-3051	24VAC 50/60Hz	1	YE83305100900	(1)							
40	H3	Buzzer	TEND	EA-2	24VAC	1	YE84240200000	(1)(3)							
41	MS	Material level motor	SHINI	SR-80	24VAC	1	YE15802400100	(1)(3)							
42	X1	Terminal	Honeywell	35mm <sup>2</sup> PE	---	1	YE60003503500								
43	X2	Terminal	Honeywell	6mm <sup>2</sup>	---	6	YE60000603200								
44			Honeywell	6mm <sup>2</sup> PE	---	1	YE60000603500								
45	X3	Terminal	Honeywell	2.5mm <sup>2</sup>	---	14	YE60002503200	(6)/(7)							
46			Honeywell	2.5mm <sup>2</sup>	---	3	YE60002503200	(6)/(7)							
47			Honeywell	2.5mm <sup>2</sup> PE	---	1	YE60002503400	(6)/(7)							
48			Honeywell	2.5mm <sup>2</sup>	---	3	YE60002503200	(2)							
49			Honeywell	2.5mm <sup>2</sup> PE	---	1	YE60002503400	(2)							
50			Honeywell	2.5mm <sup>2</sup>	---	4	YE60002503200	(3)							
<b>版本</b> VerA									Notes:(1)Means it's not the material inside the control box.(2) Means optional accessories of dedusting blower.(3) Means optional accessories of full-receive alarm device.(4)Stand for optional safety relay.(5)Stand for conveying belt optional accessories.(6)Means accessories for material conveying blower.(7)Stand for options of the feeding blower to increase the power.						
				Drawer	Version		B		Title		Drawing NO.		Scale	Page	8
				Designer	Approved by				SG-43B系列-CE-400V-B-8		Standard	CE	Totally	15	Pages
				Proofread by	Date		20171107		Electrical Components List 2		Voltage		400V		
				Checked by	Date						Frequency		50HZ		
				Modified by	Date				SHINI 信易塑料机械股份有限公司 Shini Plastics Technologies, Inc.		Voltage		400V		
				Modify date	Date				SG-43B系列-CE-400V-B-8		Frequency		50HZ		
1		2		3		4		5		6		7		8	





1		2		3		4		5		6		7		8	
NO.	Symbol	Name	Manufacturer	Type	Specification	Number	Material number	Remark							
26	F3	Overload relay	SIEMENS	3RU6116-1DB0	2.2-3.2A	1	YE01160220000	(2)							
27	FU1	Fuse	CHINT	MRO/32A/2P	2P	1	YE41032200000								
28		Fuse core	CHINT	10x38 500V	2A	2	YE46002000100								
29	FU2	Fuse	YINDA	FS-10	---	1	YE41001000000								
30		Glass tube	----	6x30	10A	1	<b>YE46631040000</b>								
31	S1	Emergency stop button	SCHNEIDER	XB2BS542C	400VAC	1	YE11254200000	(1)							
32		Contact block	SCHNEIDER	ZB2BE102C	1NC	1	YE00210203100	(1)(4)							
33	S2	Stop button	SCHNEIDER	XB2BA22C	400VAC	1	YE11222200000	(1)							
34	S3,H1	Start button	SCHNEIDER	XB2BW33B1C	24VAC	1	YE11233100000	(1)							
35		Contact block	SCHNEIDER	ZB2BE101C	1NO	1	YE00210103100	(1)(4)							
36	S4,S5	Safety switch	SCHMERSRC	AZ16-02ZYRK-1476	230VAC	2	YE16147600000	(1)(4)							
37	S4,S5	Safety switch	SCHMERSRC	AZ15-02ZYRK-1476	230VAC	2	YE16147600100	(1)							
38	H2	Alarm light	SHINI	LED-3051	24VAC 50/60Hz	1	YE83305100900	(1)							
39	H3	Buzzer	TEND	EA-2	24VAC	1	YE84240200000	(1)(3)							
40	MS	Material level motor	SHINI	SR-80	24VAC	1	YE15802400100	(1)(3)							
41	T	Transformer	BAIYUN	IN=400V/OUT=24V	230VA	1	YE70402400900								
42	TA1	Current transformer	RATIO	RQT-35	100/5A	1	YE04100500000								
43	PA	Ammeter	SFIM	DH-670	100/5A	1	YE25671000000	(1)							
44	PCB	PCB	YUYUN	AB-02	24VAC	1	YE80022400100								
45	TA2	Current transformer	YUYUN	-----	5-100A	1	-----								
46	X1	Terminal	Honeywell	35mm <sup>2</sup> PE	---	1	YE60003503500								
47	X2	Terminal	Honeywell	10mm <sup>2</sup>	---	6	YE60001003200								
48		Terminal	Honeywell	10mm <sup>2</sup> PE	---	1	YE60001003500								
49	X3	Terminal	Honeywell	2.5mm <sup>2</sup>	---	14	YE60002503200								
50		Terminal	Honeywell	2.5mm <sup>2</sup>	---	3	YE60002503200	(6)/(7)							
版本		Notes:(1)Means it's not the material inside the control box.(2) Means optional accessories of dedusting blower.(3) Means optional accessories of full-receive alarm device.(4)Stand for optional safety relay (5)ST and for conveying belt optional accessories.(6)Means accessories for material conveying blower.(7)ST ands for options of the feeding blower to increase the power.													
		Title		Drawing NO.		Scale		Page		11		15		8	
		SG-4-360B(H)/4390B		SG-4-3B系列-CE-400V-B-11		CE		Voltage		400V		Frequency		50HZ	
		Electrical Components List 2		SHINI		信易塑料机械股份有限公司		Shini Plastics Technologies, Inc.							
Mark		Before modification		After modification		Modified by		Modify date		Checked by		Date		20171107	
1		2		3		4		5		6		7		8	



1	2		3	4	5	6	7	8	
NO.	Symbol	Name	Manufacturer	Type	Specification	Number	Material number	Remark	
1	Q1	Breaker interlock	ABB	A2B250TMF200	200A	1	YE41252200000		
2	Q2	Circuit-breaker	TECO	BM-63C/3P	10A	1	YE40301003000	(6)	
3	Q2	Circuit-breaker	TECO	BM-63C/3P	32A	1	YE40303203000	(7)	
4	Q3	Circuit-breaker	TECO	BM-63C/3P	6A	1	YE40300603000	(2)	
5	K1,K2	Contactor	SIEMENS	3RT5044-1AC20	24VAC 50/60Hz	2	YE00504402600		
6	K3	Contactor	SIEMENS	3RT5036-1AC20	24VAC 50/60Hz	1	YE00503602600		
7		Auxiliary contactor	SIEMENS	3RH5921-1CA01	1NC	2	YE00592110100		
8		Auxiliary contactor	SIEMENS	3RH5921-1CA10	1NO	1	YE00592110000	(5)	
9		Auxiliary contactor	SIEMENS	3RH5921-1CA01	1NC	1	YE00592110100	(4)	
10	K4	Contactor	SIEMENS	3RT6016-1AB01	24VAC 50/60Hz	1	YE00601602500	(6)	
11	K4	Contactor	SIEMENS	3RT6026-1AB01	24VAC 50/60Hz	1	YE00602602600	(7)	
12		Auxiliary contactor	SIEMENS	3RH6911-1HA11	1NC+1NO	1	YE00691100100	(6)	
13	K5	Contactor	SIEMENS	3RT6016-1AB02	24VAC 50/60Hz	1	YE00601602600	(2)	
14	K6	Contactor	SIEMENS	3RT5054-1AB36	24V 50/60Hz	1	YE00505400900	(4)	
15	K7	Middle relay	Honeywell	GR-2C-AC24V	24VAC	1	YE03022400300		
16	K7	Middle relay	Honeywell	GR-4C-AC24V	24VAC	1	YE03042400300	(5)	
17	K8	Safety relay	PILZ	PN0Zx2.8P	24V AC/DC	1	YE04023000000	(4)	
18	K9 K10 K11	Middle relay	Honeywell	GR-2C-AC24V	24VAC	3	YE03022400300	(5)	
19	K12	Middle relay	Honeywell	GR-2C-AC24V	24VAC	1	YE03022400300	(4)	
20	K13	Timer	YUYUN	TRF-N/3M	24VAC	1	YE86032400000	(5)	
21	K14	Timer	YUYUN	TH3A-NAB 60S	24VAC	1	YE86602400300	(5)	
22	F1	Overload relay	SIEMENS	3RU5146-4JB0	4.5-63A	1	YE01514640000		
23	F2	Overload relay	SIEMENS	3RU6116-1FB0	3.5-5A	1	YE01160350000	(6)	
24	F2	Overload relay	SIEMENS	3RU6126-4BB0	14-20A	1	YE01260140000	(7)	
25	F3	Overload relay	SIEMENS	3RU6116-1DB0	2.2-3.2A	1	YE01160220000	(2)	
版本	VerA	Notes:(1)Means it's not the material inside the control box.(2) Means optional accessories of dedusting blower.(3) Means optional accessories of full-receive alarm device.(4)Stand for optional safety relay.(5)Stand for conveying belt optional accessories.(6)Means accessories for material conveying blower.(7)Stand for options of the feeding blower to increase the power.							
				Drawer	Designer	Proofread by	Checked by	Modified by	Modify date
				Version	Approved by				
				Title		Drawing NO.		Scale	Page
				SG-4390B(H)		SG-43B系列-CE-400V-B-13		CE	13
				Electrical Components List 1		Standard		Voltage	
								400V	
								Frequency	
								50HZ	
								Totally	
								15	
								Pages	
								8	



1	2		3	4	5	6	7	8	
NO.	Symbol	Name	Manufacturer	Type	Specification	Number	Material number	Remark	
26	FU1	Fuse	CHINT	MRO/32A/2P	2P	1	YE41032200000		
27		Fuse core	CHINT	10×38 500V	2A	2	YE46002000100		
28	FU2	Fuse	YINDA	FS-10	---	1	YE41001000000	A	
29		Glass tube	----	6×30	10A	1	YE4663104.0000		
30	S1	Emergency stop button	SCHNEIDER	XB2BS542C	400VAC	1	YE11254200000	(1)	
31		Contact block	SCHNEIDER	ZB2BE102C	1NC	1	YE00210203100	(1)(4)	
32	S2	Stop button	SCHNEIDER	XB2BA22C	400VAC	1	YE11222000000	(1)	
33	S3,H1	Start button	SCHNEIDER	XB2BW33B1C	24VAC	1	YE11233100000	(1)	
34		Contact block	SCHNEIDER	ZB2BE101C	1NO	1	YE00210103100	(1)(4)	
35	S4,S5	Safety switch	SCHMERSRC	AZ15-02ZVRK-1476	230VAC	2	YE16147600100	(1)	
36	S4,S5	Safety switch	SCHMERSRC	AZ16-02ZVRK-1476	230VAC	2	YE16147600000	(1)(4)	
37	H2	Alarm light	SHINI	LED-3051	24VAC 50/60Hz	1	YE83305100900	(1)	
38	H3	Buzzer	TEND	EA-2	24VAC	1	YE84240200000	(1)(3)	
39	MS	Material level motor	SHINI	SR-80	24VAC	1	YE15802400100	(1)(3)	
40	T	Transformer	BAIYUN	IN=400V/OUT=24V	350VA	1	YE70402400900		
41	TA1	Current transformer	RATIO	RCT-35	150/5A	1	YE04150500000		
42	PA	Ammeter	SFIM	DH-670	150/5A	1	YE25671500000		
43	PCB	PCB	YUYUN	AB-02	24VAC	1	YE80022400100		
44	TA2	Current transformer	YUYUN	-----	5-100A	1	-----	C	
45	X1	Terminal	Honeywell	35mm <sup>2</sup> PE	---	1	YE60003503500		
46	X2	Terminal	Honeywell	16mm <sup>2</sup>	---	6	YE60001603200		
47		Terminal	Honeywell	16mm <sup>2</sup> PE	---	1	YE60001603500		
48	X3	Terminal	Honeywell	2.5mm <sup>2</sup>	---	14	YE60002503200		
49		Terminal	Honeywell	2.5mm <sup>2</sup>	---	3	YE60002503200	(6)	
50		Terminal	Honeywell	2.5mm <sup>2</sup> PE	---	1	YE60002503400	(6)	
版本	VerA	Notes:(1)Means it's not the material inside the control box.(2) Means optional accessories of dedusting blower.(3) Means optional accessories of full-receive alarm device.(4)Stand for optional safety relay (5)Stand for conveying belt optional accessories.(6)Means accessories for material conveying blower.(7)Stand for options of the feeding blower to increase the power.		Title SG-4-390B(H) Electrical Components List 2		Drawing NO. SG-4-3B系列-CE-400V-B-14		Scale CE	Page 14
Mark	Before modification	After modification	Modified by	Modify date	Checked by	Date	SHINI 信易塑料机械股份有限公司 Shini Plastics Technologies, Inc.		Page 15
1	2	3	4	5	6	7	8	400V	50HZ

