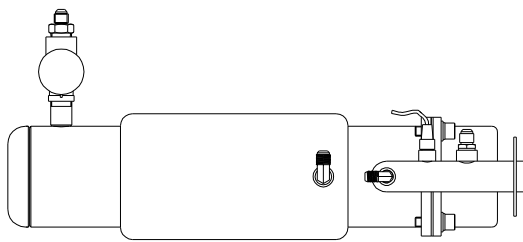
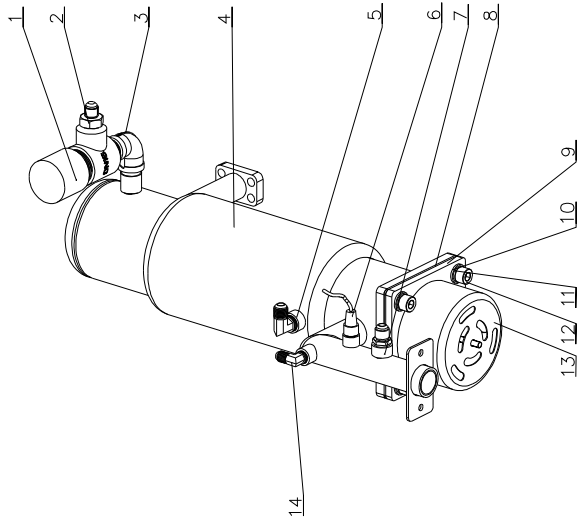
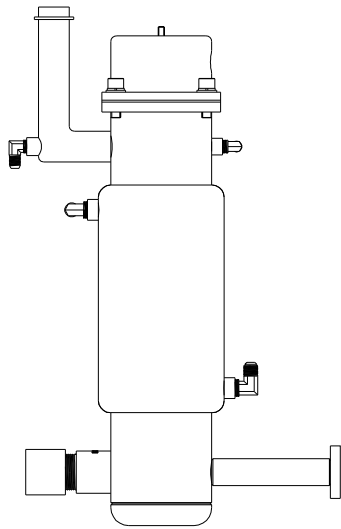
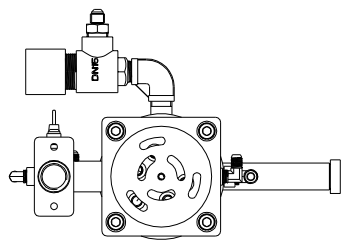


39	YW64000500300	Hexagon screw M6	5.0	2
38	YW66061600000	Flat gasket 6	140HV	2
37	YW65006000100	Spring washer 6	65Mn	2
36	BH12060703910	Universal copper nut S-136	H58	2
35	YE90000800000	Low pressure switch 0~0.8kg		1
34	YE90002000000	High pressure switch 0~2.0MPa		1
33	STM-607PW-F-ALL	Filtering assembly of plunger pump		1
32	STM-607PW-C-ALL	Return water pipe components		1
31	BH90115000250	E60 units		1
30	YW63061700000	Flat head screw M#15	4.8	16
29	YW66061800000	Flat gasket 6	140HV	4
28	YW65006000100	Spring washer 6	65Mn	4
27	YW64000600300	Hexagon screw M6	5.0	4
26	YW60062500000	Hexagon screw bolt M6*25	8.8	4
25	BM20005500550	Magnetic pump MP-55		1
24	YR10110000000	Flange pd		2
23	YW66082200100	Flat gasket 8	140HV	4
22	YW65008000100	Spring washer 8	65Mn	4
21	YW61082000200	Inner hexagon screw M8*20	4.8	12
20	YW63051000100	Flat head screw M5*10	4.8	8
19	YW62191000000	Big hinge CL219-1		2
18	SG-S-01	Fixed plate of cable clamp	SPCC2.0	1
17	YW00000000100	Long door lock		1
16	YW69081500000	Butterfly screw M8*15	4.8	2
15	YW85015000000	Pressure gauge(0~1.5MPa)		1
14	STM-607PW-B-ALL	Beating tank components		1
13	STM-607PW-A-ALL	Back		1
12	STM-607PW-E-ALL	Drainage connector component		1
11	STM-607PW-D-ALL	Water filling connector components		1
10	YW57010200000	Y-tape filter 1/2"	ZCuZn38	1
9	BH12131200010	Copper inserted core M1.3*1/2PT	H62	1
8	STM-607PW-ALL-01	Control box	SPCC1.5	1
7	STM-607PW-ALL-02	Door plate	SPCC1.2	1
6	YW20660900100	Door plate handle		1
5	YE12003000000	Main power switch		1
4	STM-607PW-ALL-04	Control cabinet base plate	SECC1.5	1
3	YW63062000000	Thick head screw M6*20	4.8	4
2	STM-607PW-ALL-03	Control cabinet base plate	SPCC2.0	1
1	YW03002500000	Caster 2.5"		4

NO.	Code	Name	Texture	Quantity	Remark
	STM-607PW	STM-607PW-ALL	比例 1:10	数量 1	
	Assembly Drawing and Parts list		表面要求	材质	组合件
			物料号		

标题	版号	日期	设计	校核	审核
STM-607PW	A				
20160920					
标记	更改前	更改后	更改人	日期	

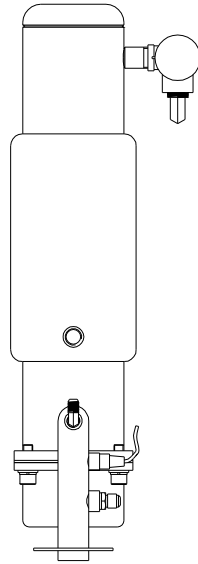
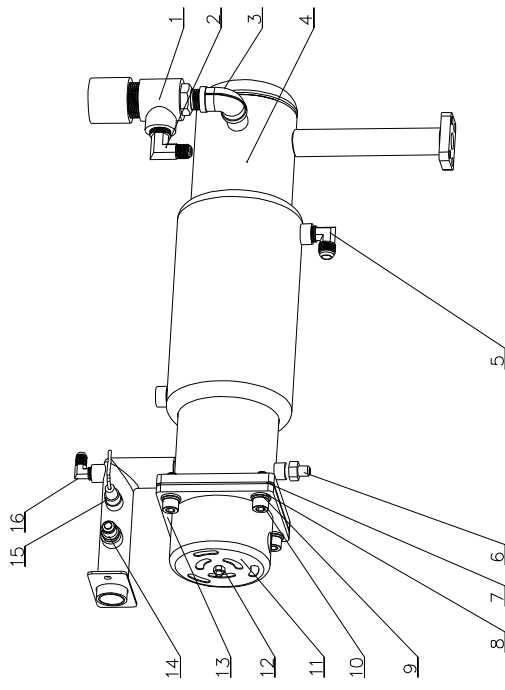
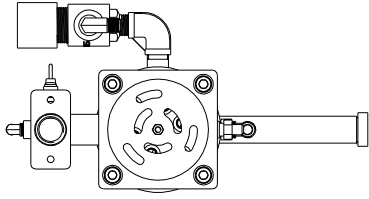
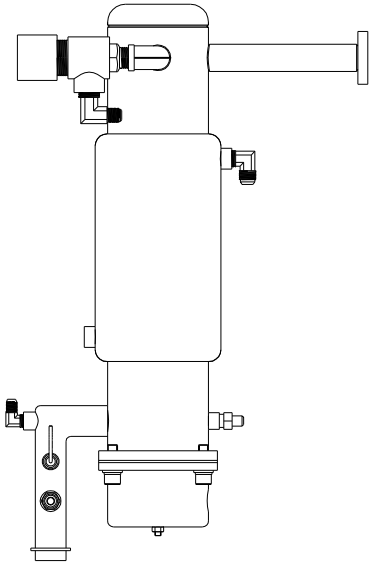


14	YW04010400400	Toniflon pipe male thread elbow	H62	2	1/4"H*1/4"PT L
13	S-190	Heating pipe cover	SF001.0	1	
12	YW61103000100	Inner hexagon cylindrical screw M10x30	12.9	4	GB/T70.1
11	YW65010000000	Standard spring washer 10	65Mn	4	GB/T93
10	YW66102000100	Flat gasket A 10	Q235A	4	GB/T197.1 (11x2.0x2)
9	STM-607PW-H-ALL	Heating pipe assembly	ISO-68	1	
8	YR20121200000	Flexible graphite gasket	H62	1	1.20*1.20*2.0
7	S-116	Toniflon pipe male thread elbow	H62	1	3/8"PT*3/8"H
6	BE00342500050	Thermocouple	Q235A	1	2.5M
5	YW04030800300	Copper teflon connector	H68	2	3/8"PT*3/8"H L
4	STM-607PW-B-01	Heating tank		1	
3	YW53001200100	Stainless steel elbow	SUS304	1	1/2"PT
2	S-91	Toniflon pipe male thread elbow	H62	1	3/8"H*1/2"PT
1	YW05141200000	Safety valve	SUS304	1	1/2寸外牙耐压14KG

NO.	Code	Name	Qty.	Remark
B	标题	STM-607PW		
	图号	STM-607PW-B-ALL		
	核准	Heating Tank Assembly		
	日期	20181219		
	制图			
	设计			
	校对			
	审核			
	更改前			
	更改后			
	更改人			
	日期			
	比例	1:5	数量	1
	表面要求		材质	
	物料号			



SHINI
Shini Plastics Technologies, Inc.

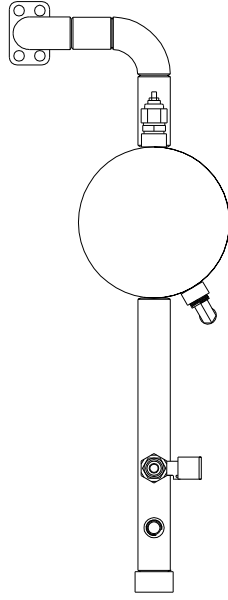
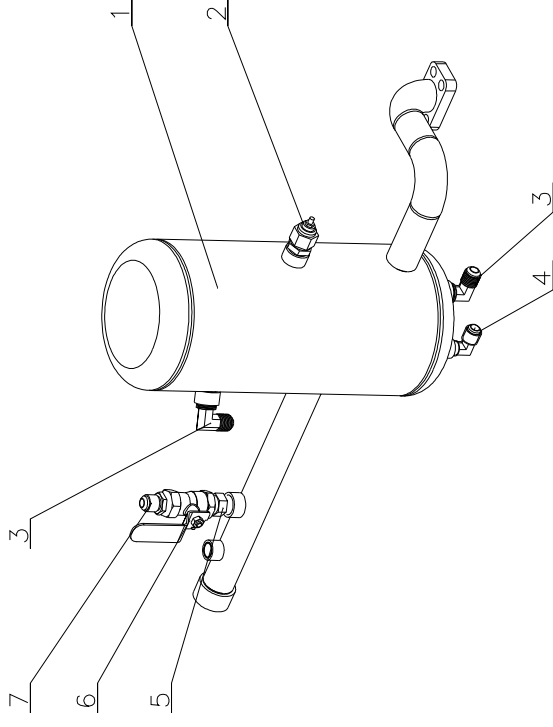
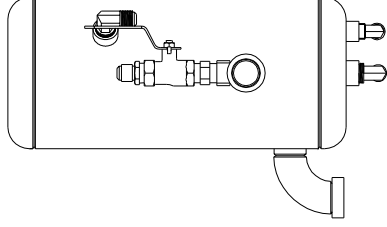
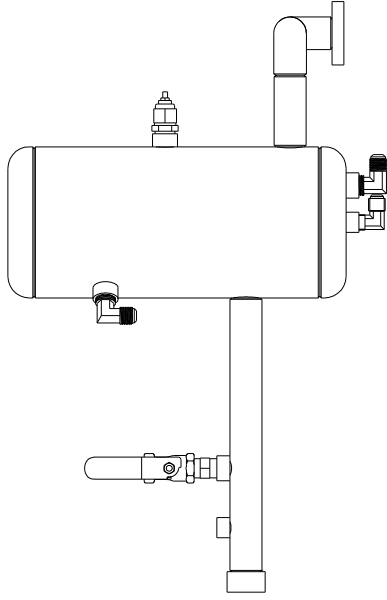


16	YW04010400400	Tonifon pipe male thread elbow	H62	1	1/4"H*1/4"PT L
15	BE90341500050	Thermocouple	SUS304	1	1.5M
14	S-116	Tonifon pipe male thread elbow	H62	1	3/8"PT*3/8"H
13	STM-607PW-H-ALL	Heating pipe assembly		1	
12	YW6400600300	Hexagon nut M6	Q235A	1	GB/T16170
11	S-190	Heating pipe cover	SPPCC1.0	1	
10	YW61103000100	Inner hexagon cylindrical screw M10x30	12.9	4	GB/T770.1
9	YW650100000000	Standard spring washer 10	65Mn	4	GB/T193
8	YW66102000100	Flat gasket/A 10	Q235A	4	GB/T197.1 (11 X20 X2)
7	YR20121200000	Flexible graphite gasket	ISO-68	1	120*120*2.0
6	BH12010400410	Tonifon pipe connector	H58	1	1/4"H*1/4"PT
5	YW04030800600	Copper teflon connector	H58	1	3/8"PT*3/8"H L
4	STM-607PW-D-A-01	Heating tank		1	
3	YW53001200100	Stainless steel elbow	SUS304	1	1/2"PT
2	YW04010200200	Tonifon pipe connector	H58	1	
1	YW05141200000	Safety valve	SUS304	1	
NO.	Code	Name	Texture	Qty.	Remark

图号	STM-607PW-D	STM-607PW-D-A-03
标题	Heating Tank Assembly	
比例	1:5	数量
		材质
		表面要求
		物料号



版号	A	日期	20181225
核准		日期	
设计		日期	
校对		日期	
审核		日期	
更改前		更改人	
更改后		日期	
标记		日期	



7	S-116	Tonifon pipe male thread elbow	H62	1	3/8"PT*3/8"H
6	YW50382300500	Ball valve 3/8"	SUS304	1	
5	S-07	Copper pipe coupler	H58	1	3/8"PT*3/8"PT
4	YW04030800200	Tonifon pipe male thread elbow 3/8Hx1/4PTL	H58	1	
3	YW04030800300	Copper teflon connector	H58	2	3/8"PT*3/8"H
2	YW09003800500	Singles water-level probe	Q2.35A	1	L
1	STM-607PW-C-01	Return water pipe		1	
NO.	Code	Name	Texture	Qty.	Remark
版号	C	标题 STM-607PW	图号 STM-607PW-C-ALL		
核准		Return Water Pipe Assembly	比例 1:6 数量 1		
日期	20181219		表面要求		
			物料号		



信易电热机械股份有限公司
Shini Plastics Technologies, Inc.

标记

更改前

更改后

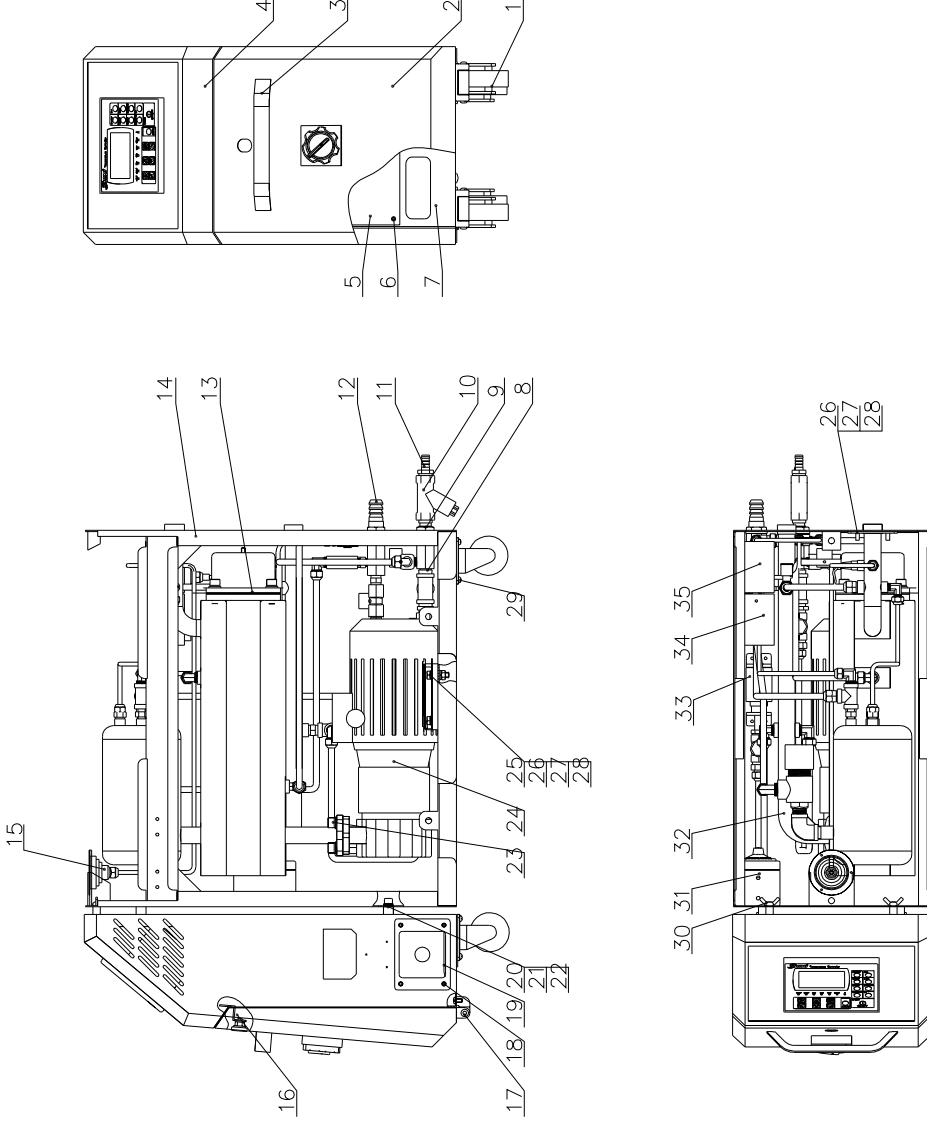
更改人

日期

审核

日期

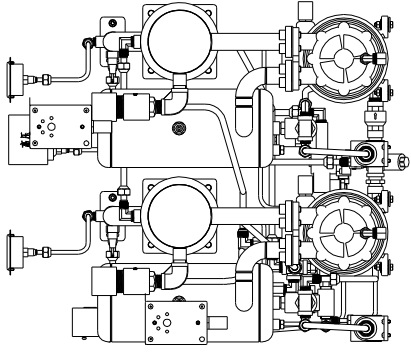
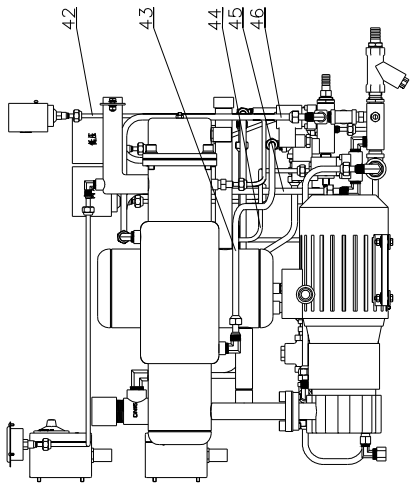
20181219



NO.	Code	Name	Texture	Qty.	Remark
35	YE900008000000	Low pressure switch controller 1/2"MPa		1	
34	YE900020000000	High pressure switch controller 1/2"MPa		1	
33	STM-607PW-F-ALL	Plunger head assembly of plunger head		1	
32	STM-1220PW-C-ALL	Against water pipe components		1	
31	BH90115000250	800 units		1	
30	YW690815000000	Battery screw M4x5	4.8	2	
29	YW630617000000	Flat head screw M4x5	4.8	16	
28	YW660618000000	Flat gasket 6	140HV	6	
27	YW65006000100	Spring washer 6	65Mn	6	
26	YW64000600300	Hexagon screw M6	5.0	6	
25	YW600625000000	Hexagon screw bolt M4x5	8.8	4	
24	BM200100000550	Magnetic pump MP-100	12.7	1	
23	YW611025000000	Hexagon screw bolt M4x5	140HV	4	
22	YW66082200100	Flat gasket 8	65Mn	4	
21	YW65008000100	Spring washer 8	4.8	4	
20	YW61082000200	Inner hexagon screw M4x0	SPCC2.0	1	
19	SG-S-01	Fixed plate of cable clamp	4.8	8	
18	YW630510000000	Flat head screw M4x0		2	
17	YW062191000000	Big hinge CU19-1		1	
16	YW00000000100	Long door lock		1	
15	YW850150000000	Freezer gauge(0~1.5MPa)		1	
14	STM-1220PW-A-ALL	Back		1	
13	STM-1220PW-B-ALL	Heating tank component		1	
12	STM-607PW-E-ALL	Drainage connector		1	
11	BH121312000010	Copper long pipe core W1.57/94	H62	1	
10	YW570102000000	T-type filter 1/2"	ZCuZn38	1	
9	BH12060703910	Universal copper nut 9-136	H62	2	
8	STM-607PW-D-ALL	Water filling connector component		1	
7	STM-607PW-ALL-03	Control box rear plate	SPCC2.0	1	
6	YW630620000000	Thick head screw M4x0	4.8	4	
5	STM-1220PW-ALL-03	Control cabinet base plate	SECC1.5	1	
4	STM-607PW-ALL-01	Control box	SPCC1.5	1	
3	YW20660900100	Door plate handle	AL	1	
2	STM-607PW-ALL-02	Door plate	SPCC1.5	1	
1	YW030025000000	Caster 2.5"		4	

比例	数量	材质	组合件
1:8	1		
表面要求			
物料号			

标准	图号	版号	核准	日期
STM-1220PW	STM-1220PW-ALL	A		20161020
Assembly Drawing and Parts list				
标记	更改前	更改后	更改人	日期



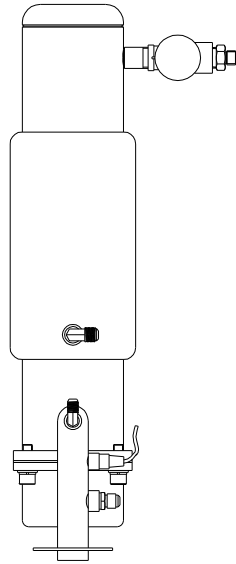
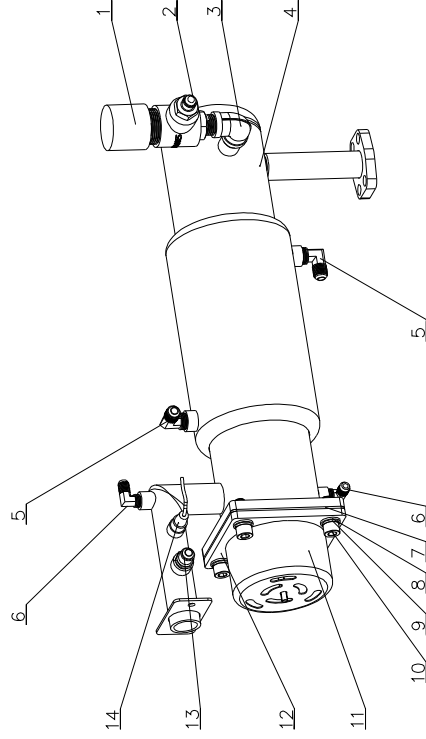
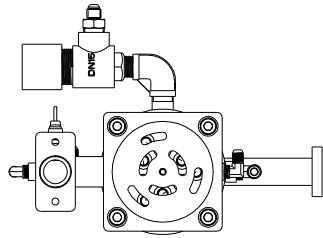
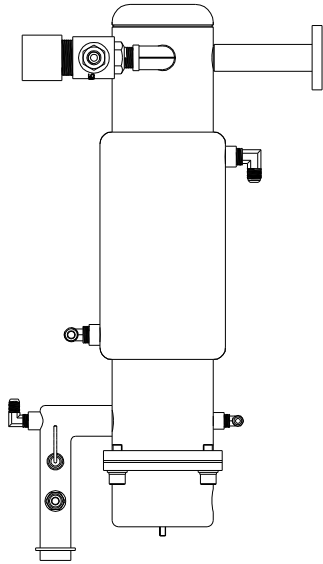
46	STM-1220PW-D-B-24	Right cooling water inlet pipe	1
45	STM-1220PW-D-B-17	Left cooling water inlet pipe	1
44	STM-1220PW-D-B-21	Right pressure release pipe	1
43	STM-1220PW-D-B-25	Right cooling water outlet pipe	1
42	STM-1220PW-D-B-26	Right high pressure pipe	1
41	STM-1220PW-D-B-14	Left exhaust pipe	1
40	STM-1220PW-D-B-11	Left pressure release pipe	1
39	STM-1220PW-D-B-18	Left high pressure pipe	1
38	STM-1220PW-D-B-16	Hot water by-pass pipe	2
37	YWG3041200100	Cross socket head cap screw M4x12	Q235A 6
36	STM-1220PW-D-B-09	Cooling water by-pass pipe	1
35	YWG6051000000	Cross socket head cap screw M5x10	Q235A 8
34	STM-1220PW-D-B-15	Left cooling water outlet pipe	1
33	STM-1220PW-D-B-13	Left water refilling pipe	1
32	STM-1220PW-D-B-12	Plunger pump water filling pipe	2
31	STM-607PW-F-ALL	Plunger pump water filling component	2
30	YWG4000600300	Hexagon screw M6	Q235A 12
29	YWG6082200100	Big gasket C	Q235A 8
28	S-171	Teflon plug	H58 2
27	YWG4030800400	Toniflon pipe connector	H58 2
26	STM-907HT-B-17	Lengthened screw for oil discharge	H58 2
25	YR1011000000	Graphite gasket MP-100	ISO-68 4
24	STM-1220PW-D-B-22	Right exhaust pipe	1
23	BH90115000050	High temperature tester	2
22	YWG2051000100	Cross recessed raised countersunk head screw M5x10	Q235A 4
21	YWG5015000000	Pressure gauge	2
20	YWG3016000000	Cross socket head cap screw M3x6	Q235A 6
19	STM-1220PW-D-B-20	Pressure gauge pipe	2
18	STM-1220PW-D-B-03	Heating tank component	2
17	YWG4030800300	Toniflon pipe connector	H58 4
16	YWG1102500000	Hexagon screw with cylindrical screw M10x25	12.9 16
15	MP-100	Magnetic pump MP-100	Q7400 2
14	YWG5000000000	Standard spring washer 6	65Mn 12
13	YWG6061800000	Big gasket A	Q235A 8
12	YWG0062500000	Hexagon screw bit M6x25	4.8 8
11	STM-1220PW-D-B-23	Right water refilling pipe	1
10	STM-1220PW-D-B-05	Water filling connector components	1
9	YWG570102000000	Y-type water strainer	H62 1
8	S-133	Copper inserted core	H58 1
7	STM-1220PW-D-B-06	Drainage connector component	1
6	STM-1220PW-D-B-04	Return water pipe components	2
5	STM-1220PW-D-B-10	Low pressure pipe	1
4	YWG0061500100	Hexagon screw M6x16	12.9 4
3	YWG6061300000	Flat gasket A 6	Q235A 8
2	YEG9001800000	Low pressure switch controller	PVC
1	YEG9002000000	Pressure switch controller HLP520E	PVC 2

NO.	Code	Name	Texture	Qty.	Remark
A	标题	STM-1220PW-D			
	图号	Internal Structure Diagram			
	比例	1:8	数量	1	
	核准		材料		
	日期		表面要求		
	制图		物料号		
	设计				
	校对				
	审核				
	日期				
	更改人				
	更改后				
	更改前				

版号	标题	STM-1220PW-D
核准	图号	Internal Structure Diagram
日期	比例	1:8
	数量	1
	材料	
	表面要求	
	物料号	



20181225

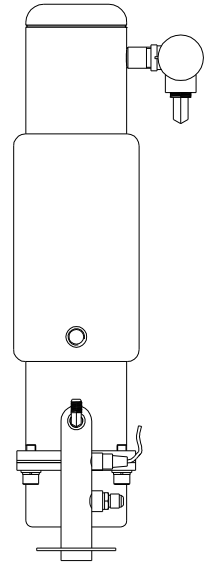
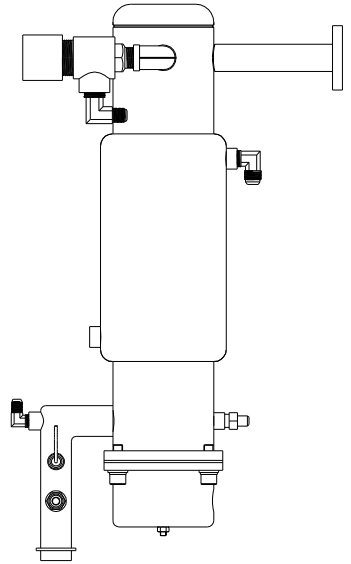
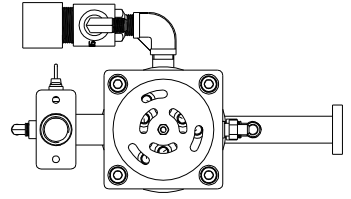
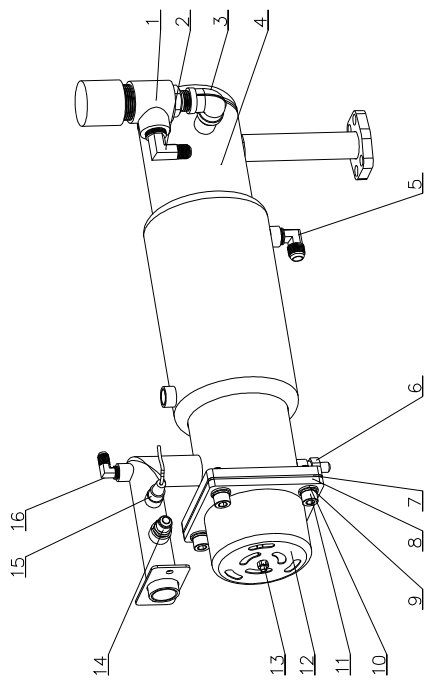


14	BE90341500060	Thermocouple	SUS304	1	1.5M
13	S-116	Tonion pipe male thread elbow	H62	1	3/8"PT*3/8"H
12	STM-1220PW-ALL	Heating pipe assembly		1	
11	S-190	Heating pipe cover	SFC01.0	1	
10	YM61103000100	Inner hexagon cylindrical screw M10x30	12.9	4	GB/T70.1
9	YM65010000000	Standard spring washer 10	65Mn	4	GB/T93
8	YM66102000100	Flat gasket A 10	Q235A	4	GB/T197.1 (11x2.0x2)
7	YR20121200000	Flexible graphite gasket	ISO-68	1	120*120*2.0
6	YM04010400400	Tonion pipe male thread elbow	H62	2	1/4"H*1/4"PT L
5	YM04030600300	Copper teflon connector	H58	2	3/8"PT*3/8"H L
4	STM-1220PW-B-01	Heating tank	SUS304	1	1/2"PT
3	YM53001200100	Stainless steel elbow	H62	1	3/8"H*1/2"PT
2	S-91	Tonion pipe male thread elbow	H62	1	3/8"H*1/2"PT
1	YM05141200000	Safety valve	SUS304	1	
NO.	Code	Name	Qty.	Remark	

版号	B	标题	STM-1220PW Heating Tank Assembly	图号	STM-1220PW-B-ALL	比例	1:5	数量	1
核准		设计		校核		校核		表面要求	
日期	20181221	校核		审核		物料号			
标记	更改前	更改后	更改人	日期					



SHINI
Shini Plastics Technologies, Inc.

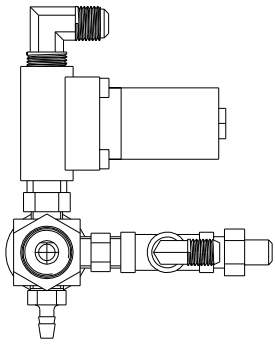
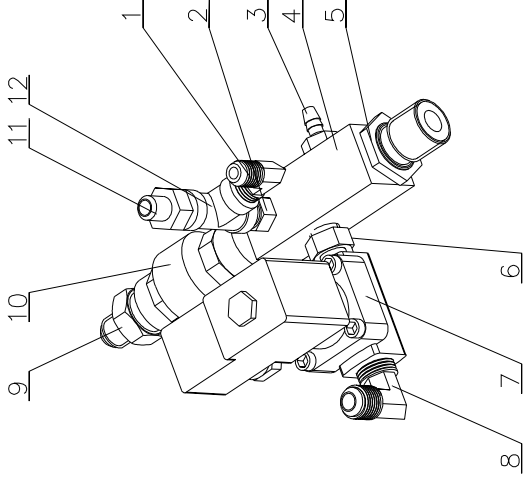
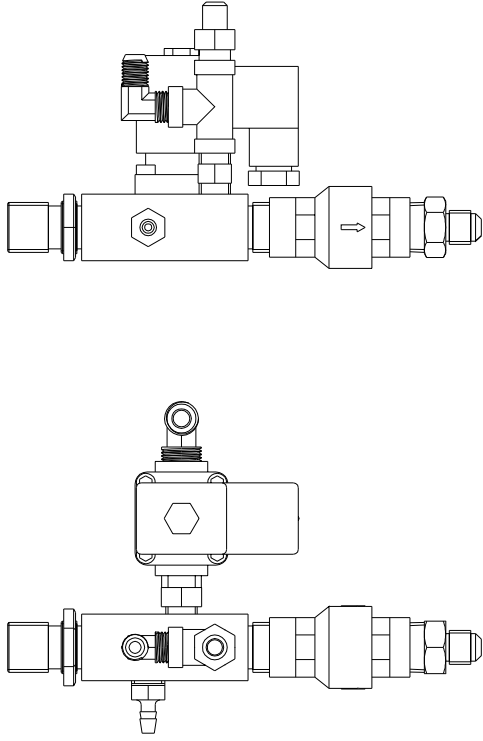


16	YW04010400400	Tonifon pipe male thread elbow	H62	1	1/4"H*1/4"PT L
15	BE90341500950	Thermocouple	SUS304	1	1.5M
14	S-116	Tonifon pipe male thread elbow	H62	1	3/8"PT*3/8"H
13	YW64000600300	Hexagon nut M6	Q235A	1	GB/T6170
12	S-190	Heating pipe cover	SPDC1.0	1	
11	YW61103000100	Inner hexagon cylindrical screw M10x30	I2.9	4	GB/T770.1
10	YW65010000000	Standard spring washer 10	65Mn	4	GB/T93
9	YW66102000100	Flat gasket A 10	Q235A	4	GB/T97.1 (11X20X2)
8	STM-1220PW-F-ALL	Heating pipe assembly		1	
7	FR20121200000	Flexible graphite gasket	ISO-68	1	120*120*2.0
6	BH12010400410	Tonifon pipe connector	H58	1	1/4"H*1/4"PT
5	YW04030800600	Copper teflon connector	H58	1	3/8"PT*3/8"H L
4	STM-1220PW-D-B-01	Heating tank		1	
3	YW63001200100	Stainless steel elbow	SUS304	1	1/2"PT
2	YW04010200200	Tonifon pipe connector	H58	1	
1	YW05141200000	Safety valve	SUS304	1	

NO.	Code	Name	Qty.	Remark				
A	标题	STM-1220PW-D	图号	STM-1220PW-D-B-03	比例	1:5	数量	2
	核准	Heating Tank Assembly						材质
	日期							表面要求
	更政前							物料号
	更政后							
	更政人							
	日期							
	审核							
	校对							
	设计							
	制图							



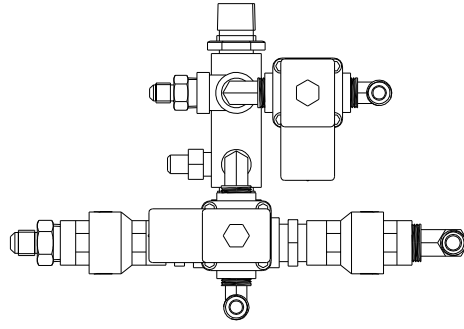
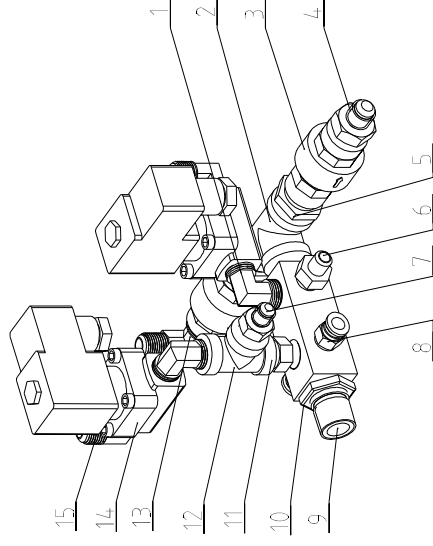
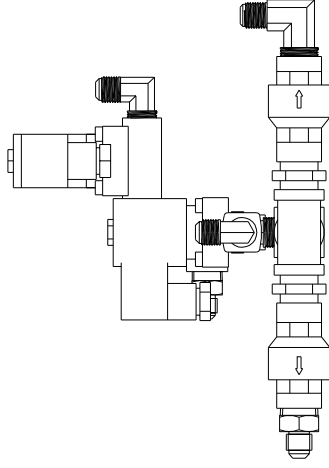
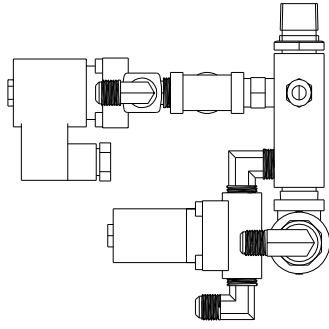
20181224



12	YW52010400000	Stainless steel water pipe three-way 1/4"	SUS304	1	1/4"
11	BH12010400410	Teflon pipe connector	H58	1	1/4"H*1/4"PT
10	YW59001201300	One-way valve 1/2" VITON	Cu	1	RB
9	S-91	Tonflon pipe male thread elbow	H62	1	3/8"H*1/2"PT
8	YW04030800300	Copper teflon pipe	H58	1	3/8"PT*3/8"H L
7	YE32382400000	Solenoid valve 24V		1	
6	S-50	Copper pipe coupler	H58	1	3/8"PT*1/4"PT
5	S-136	Universal copper nut	H58	1	
4	STM-607PW-D-01	Water filling connector assembly	H58	1	
3	STM-607PW-D-02	Pagoda 7mm*1/4	H58	1	
2	S-08	Pipe coupler	H58	1	1/4"PT*1/4"PT
1	YW04010400400	Tonflon pipe male thread elbow	H62	1	1/4"H*1/4"PT L
NO.	Code	Name	Texture	Qty.	Remark

标题	STM-607PW/1220PW	图号	STM-607PW-D-ALL
Water Filling Connector Assembly			
版号	C	比例	1:3
核		数量	1
准		材料	
日期	20181219	表面要求	
日期		物料号	
设计			
校对			
审核			
更改前			
更改后			
更改人			
日期			



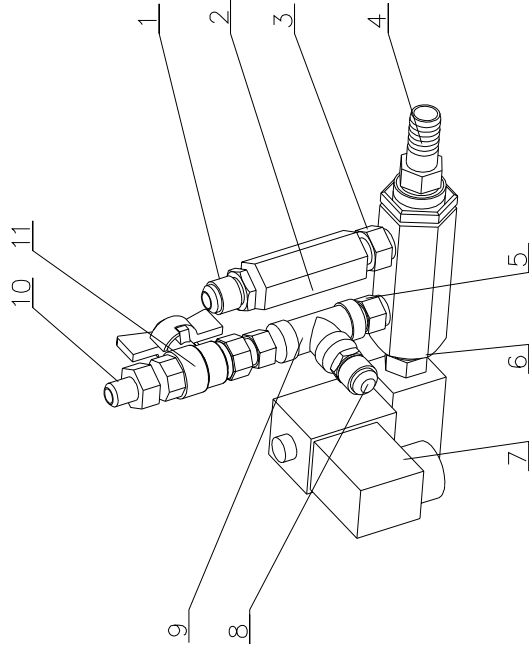
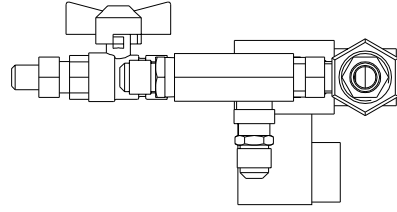
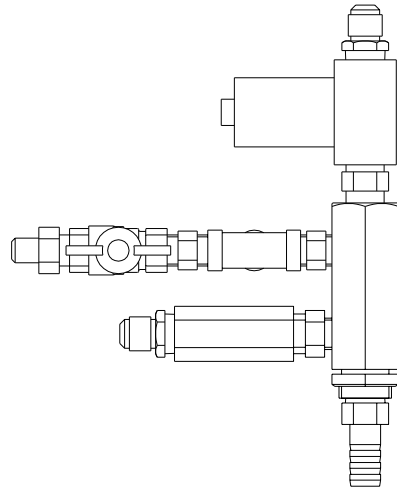


15	YW04030800300	Copper pipe connection	H58	2	3/8"PT*3/8"H L
14	YE32382400000	Solenoid valve 24V		2	
13	YW04010200200	Copper pipe connection	H58	1	1/2"PT*3/8"H L型
12	YW52030800000	Stainless steel three-way 3/8" SUS304		1	
11	S-07	Copper pipe coupler	H58	1	3/8"PTx 3/8"PT
10	S-136	Universal copper nut	H58	1	
9	STM-1220PW-D-B-05/01	Water filling connector	H58	1	
8	YW80081400000	Screw straight connector 1/4-ø8	SUS304	2	
7	S-80	Copper pipe connection 3/8"PTx1/4"PT	H62	1	3/8"PT外牙 1/4"H外牙
6	BH12010400410	Copper pipe connection	H58	1	1/4"H*1/4"PT
5	S-122	Pipe coupler	H58	2	1/2"PT*1/2"PT
4	S-91	Tonflon pipe male thread elbow	H62	1	3/8"H*1/2"PT
3	YW59001201300	Non-return valve 1/2" VITON	Cu	2	RB
2	YW52010200600	Stainless steel three-way 1/2" SUS304		1	
1	YW04030800100	Pipe coupler	H62	2	3/8"PT(L)
NO.	Code	Name	Texture	Qty.	Remark

版号	0	图号	STM-607PW/1220PW-D	比例	1:4	数量	1
核		核	Water Filling Connector Assembly			材质	
准		准				表面要求	
日期	20181026	日期				物料号	
更改前		更改人					
更改后		日期					
标记		审核					



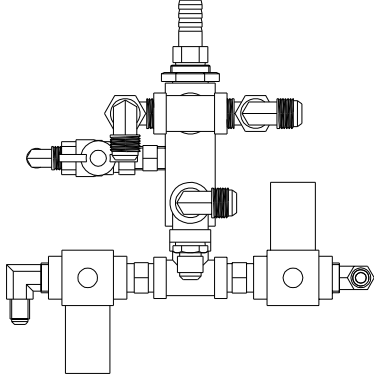
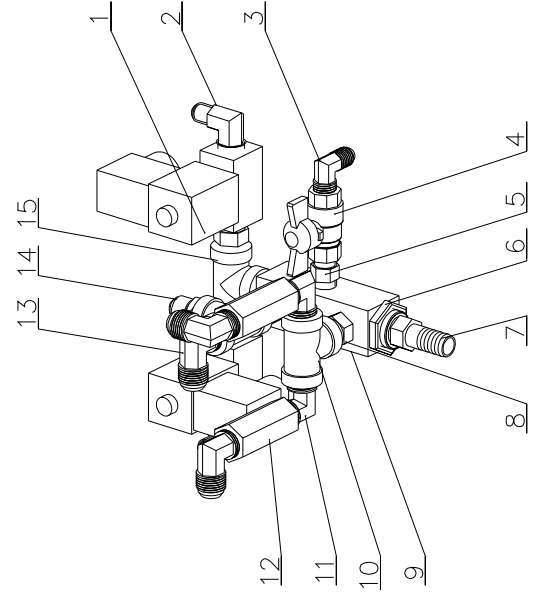
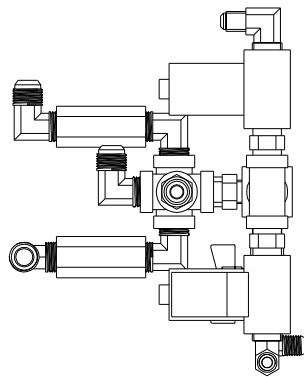
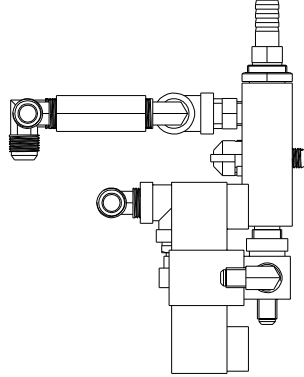
信易电热机械股份有限公司
Shini Plastics Technologies, Inc.



11	YY60001430000	Butterfly ball valve 1/4"PT copper	Cu	1
10	BH12010400410	Tonflon pipe connector	H58	1
9	YW52010400000	Stainless steel water pipe three-way 1/4"	SUS304	1/4"
8	S-81	Tonflon pipe male thread elbow	H58	1/4"PT*3/8"H
7	YE32203000900	Solenoid valve		
6	S-07	Copper pipe coupler	H58	3/8"PT*3/8"PT
5	S-08	Pipe coupler	H58	1/4"PT*1/4"PT
4	S-139	No.2 set of copper connector		
3	S-50	Copper pipe coupler	H58	3/8"PT*1/4"PT
2	YW59383400000	Non-return valve 3/8"	SUS304	3/8"PT*3/8"PT
1	S-116	Tonflon pipe male thread elbow	H62	3/8"PT*3/8"H
NO.	Code	Name	Texture	Qty.

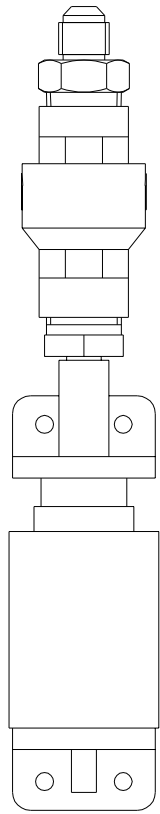
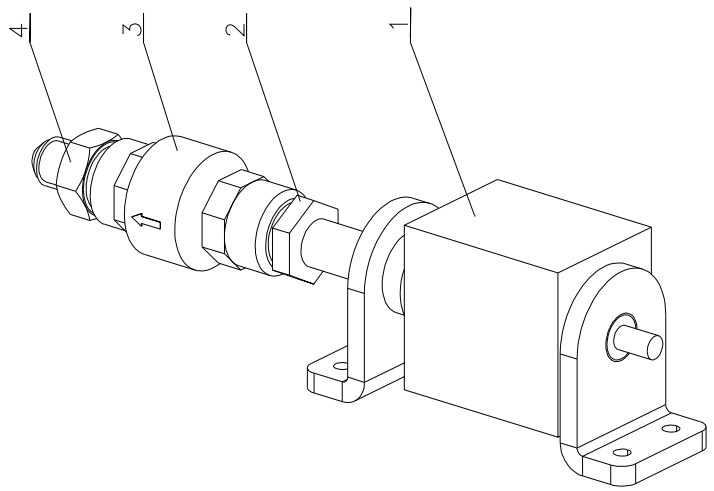
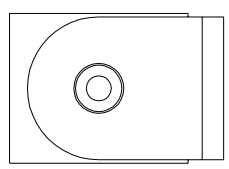
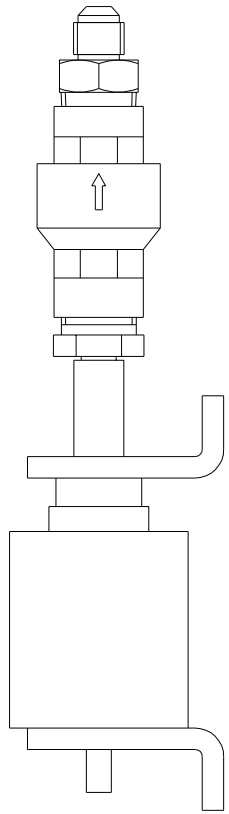
标题	STM-607PW/1220PW	图号	STM-607PW-E-ALL
版号	C	比例	1:3
核 准	设计	数量	1
校 对	校对	材质	
审 核	审核	表面要求	
日期	日期	物料号	
更改人	更改后	更改前	
20181219			





15	S-07	Copper pipe coupler	H58	2	3/8"PT*3/8"PT
14	S-116	Tonflon pipe male thread elbow	H62	1	3/8"PT*3/8"H
13	YW04030800600	Copper teflon connector	H58	3	3/8"PT*3/8"H L
12	YW59383400000	One-way valve 3/8"	SUS304	2	3/8" (SUS304)
11	YW04030800100	Pipe coupler	H62	2	3/8"PT(L)
10	YW52030800000	Stainless steel water pipe three-way 3/8"	SUS304	3	
9	STM-1220PW-D-B-06/01	Drainage connector	H58	1	
8	S-50	Copper pipe coupler	H58	2	3/8"PT*1/4"PT
7	S-85	Copper inserted core	H58	1	
6	S-136	Universal copper nut	H58	1	
5	S-08	Pipe coupler	H58	1	1/4"PT*1/4"PT
4	YY60001430000	Butterfly ball valve 1/4"PT copper	CU	1	
3	YW04010400400	Tonflon pipe male thread elbow	H62	1	1/4"H*1/4"PT L
2	YW04030800500	Copper teflon connector	H58	2	3/8"PT*1/4"H L
1	YE32203000900	Solenoid valve		2	

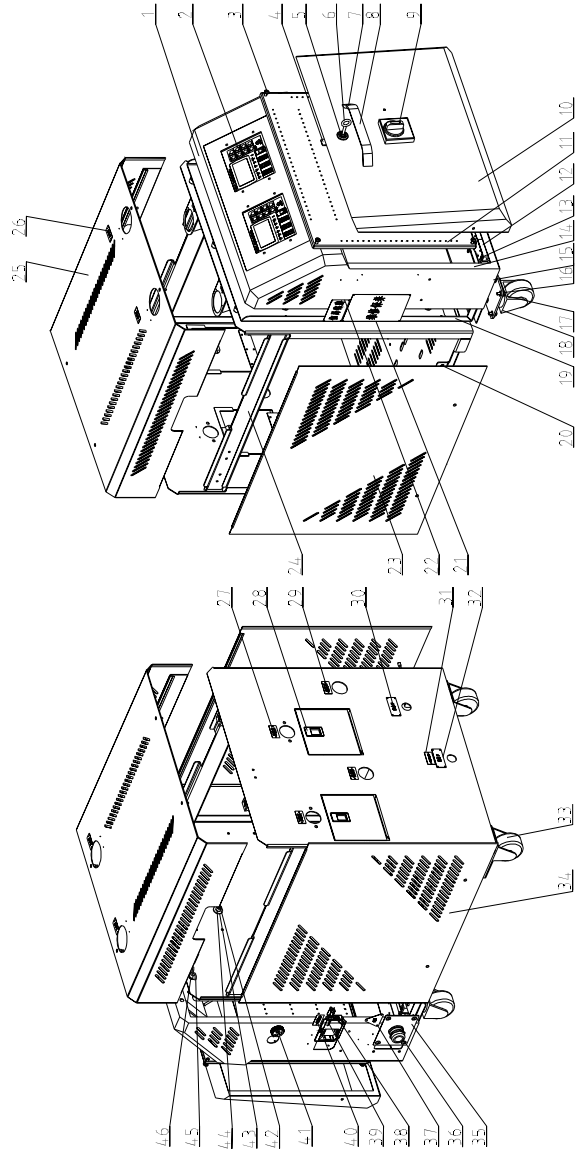
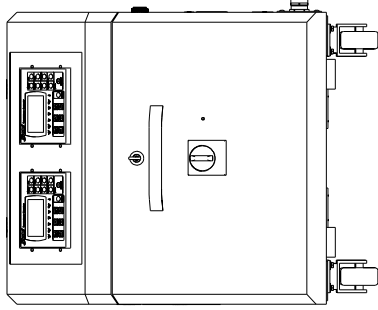
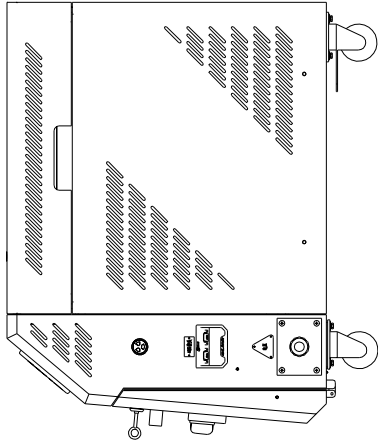
NO.	Code	Name	Texture	Qty.	Remark
A		STM-607PW/1220PW-D	图号		STM-1220PW-D-B-06
A		Drainage Connector Assembly	图号		STM-1220PW-D-B-06
制图	设计	校对	审核	日期	更改人
版号	核准	日期	更改后	更改前	标记
信易电热机械股份有限公司 Shini Plastics Technologies, Inc.					
表面要求 物料号					
20181027					



4	S-91	Tonifon pipe male thread elbow	H62	1	3/8"H*1/2"PT
3	YW59001201300	Non-return valve 1/2" VITON	Cu	1	RB
2	STM-607PW-F-02	Pressure pump connector	H58	1	
1	YW20520000100	Pressure column plunger pump	Q235A	1	DefondP50001-.5Mpa
NO.	Code	Name	Texture	Qty.	Remark
标题		STM-607PW/1220PW	图号		
Water Filling Assembly of Plunger Pump		STM-607PW-F-ALL		比例	1:2
				数量	1
				表面要求	
				物料号	

制图		版号	D
设计		核准	
校对		日期	20181219
审核		更改人	
		更改后	
		更改前	
标记			



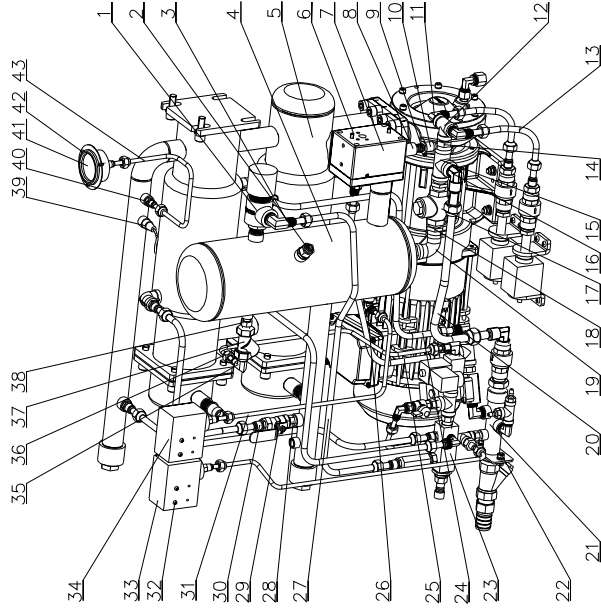
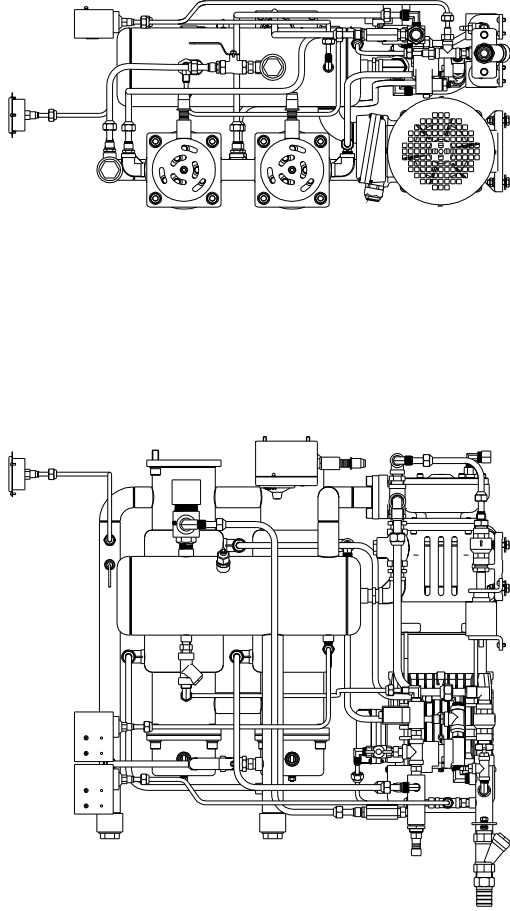


4.6	YW66081600000	Flat gasket A(8.4x16x1.6)	Q235A	3	GB/T97.1
4.5	YW69081500000	Butterfly bolt M8x15	Q235A	3	GB/T 3098
4.4	YW6500800100	Standard spring washer 8	65Mn	9	GB/T83
4.3	YW66082200100	Big gasket C	Q235A	6	GB/T968(8.4x24x2)
4.2	YW61082001200	Inner hexagon cylindrical screw M8x20	12.9	6	GB/T70.1
4.1	YE840035000600	Buzzer PK-35A 24V	PVC	1	
4.0	YP30048500000	Aluminum plate label	Z024	1	
3.9	YE90048501200	RS485 Communication interface board		1	
3.8	YR40048500000	Shell RS485		1	
3.7	YP31051650000	Power aluminum plate label	Z024	1	
3.6	YE67321500100	Cable head	H62	1	
3.5	SG-S-01	Fixing board of wire clamps	SPCC2.0	1	
3.4	STM-1220PW-D-A-05	Right side plate		1	
3.3	YW03000300000	3" With castor with brake	Q235A	2	
3.2	YP30431000000	Aluminum plate label	Z024	1	
3.1	YP31091040000	Aluminum plate label	Z024	1	
3.0	YP30430000000	Aluminum plate label	Z024	1	
2.9	YP30422000000	Aluminum plate label	Z024	2	
2.8	YR40523040000	Plastic flexible buckle	PVC	2	
2.7	YR36423000000	Aluminum plate label	Z024	2	
2.6	YP30425000000	Aluminum plate label	Z024	2	
2.5	STM-1220PW-D-A-08	Cover		1	
2.4	STM-1220PW-D-A-01	Rack		1	
2.3	STM-1220PW-D-A-07	Left side plate		1	
2.2	YP30437000000	Aluminum plate label	Z024	1	
2.1	YP31115600600	Aluminum plate label	Z024	1	
2.0	YW01051000000	Spring bolt	65Mn	8	
1.9	STM-1220PW-D-A-02	Control box rear plate		1	
1.8	YW03000300200	3" Without castor with brake	Q235A	2	
1.7	YW65060000000	Standard spring washer 6	65Mn	16	GB/T83
1.6	YW66061800000	Big gasket A	Q235A	16	GB/T96.1(6*18*1.5)
1.5	YW60061500100	Hexagon screw bolt M6x16	12.9	16	GB/T683
1.4	YW670406000600	Thread forming screw M4x6	Q235A	6	GB6560
1.3	YW62051000100	Cross recessed raised countersunk head screw M5x10	Q235A	12	JIS1111
1.2	YW06219100000	Big hinge	Z024	2	
1.1	STM-1220PW-D-A-04	Base plate of control box	SECC15	1	
1.0	STM-1220PW-D-A-05	Door plate		1	
9	YE10021160000	Main power switch	PVC	1	
8	YW20669001000	Door-plate aluminum handle	Z024	1	
7	YW630406000800	Cross socket head cap screw M4x6	Q235A	2	GB/T-8.83
6	YW00040600200	Long door lock key	SUS301	1	CF-406-3H
5	YW00000000100	Long door lock	PVC	1	
4	YW00040600000	Door lock long sheet	SUS201	1	MF-406-0H
3	YW63062000000	Cross socket head cap screw M6x20	Q235A	4	GB/T-8.18
2	YE1818-350200	Mould temperature controller		2	
1	STM-1220PW-D-A-03	Control box		1	

NO.	Code	Name	Texture	Qty.	Remark
版号	0	标题STM-607PW/1220PW-D	图号	STM-1220PW-D-A-ALL	1
核准		Shell Sheet Metal Parts			数量
日期	2016.10.26				材质
标记	更改前	更改后	更改人	日期	表面要求
					物料号



制图		审核	
设计		校对	
修改前		修改后	
更改人		更改人	
日期		日期	
审核		审核	

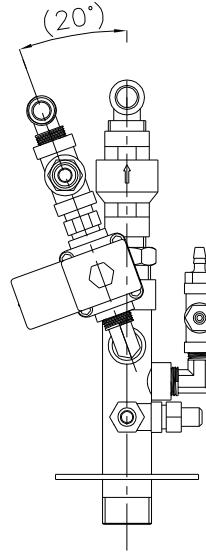
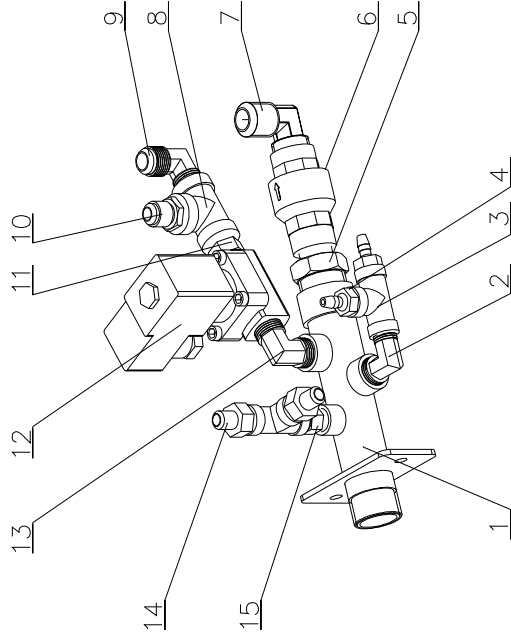
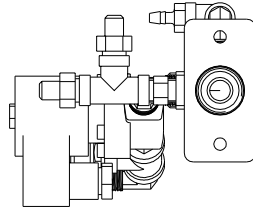
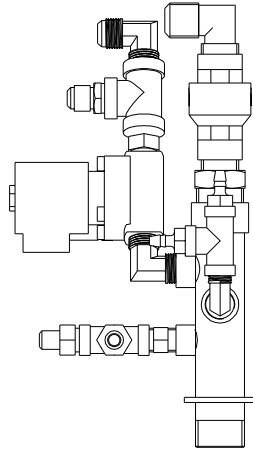


43	STM-2440PW-B-06	Pressure gauge pipe	1	
42	YW6303060000	Cross socket head cap screw M3x6	3	GB/T-823
41	YW65015000000	Pressure gauge	1	
40	S-192	Pressure gauge connector	H62	1/4"PT*1/4"H
39	BE90342500050	Thermocouple	Q235A	2.5M
38	S-50	Copper pipe coupler	H58	3/8"PT*1/4"PT
37	YW57030800000	Y-type water strainer** 3/8"	Cu	
36	STM-2440PW-B-17	Exhaust pipe		
35	YW04030600500	Copper teflon connector	H58	3/8"PT*1/4"H L
34	YE90002000000	Pressure switch controller HLE206	PVC	
33	YE90000800000	Low pressure switch controller	PVC	
32	YW63041200100	Cross socket head cap screw M4x2	Q235A	GB/T-618
31	STM-2440PW-B-11	High pressure pipe		
30	S-116	Tonlon pipe male thread connector	H62	3/8"PT*3/8"H
29	YW50382300500	Ball valve 3/8"	SUS304	
28	S-07	Copper pipe coupler	H58	3/8"PT*3/8"PT
27	STM-2440PW-B-08	Pressure release pipe		
26	YW04010400400	tonlon pipe male thread connector	H62	1/4"H*1/4"PT L
25	STM-2440PW-B-15	Cooling water inlet pipe 1		
24	STM-2440PW-B-16	Cooling water inlet pipe 2		
23	STM-2440PW-B-04	Drainage connector assembly		
22	YW60061500100	Hexagon screw bolt M6x16	12.9	GB/T5783
21	STM-2440PW-B-03	Water filling connector assembly		
20	STM-2440PW-B-09	Water filling pipe		
19	YW53001200100	Stainless steel wire elbow	SUS304	1/2"PT
18	S-122	Pipe coupler	H58	1/2"PT*1/2"PT
17	YW59010200300	Rotary check valve R1/2"	Cu	KITZ
16	YW04121200000	Tonlon pipe connector	H62	
15	YW52010200000	Stainless steel three way 1/2	SUS304	
14	S-92	Copper pipe coupler	H58	3/8"PT*1/2"PT
13	STM-2440PW-B-12	Water filling pipe of plunger pump		
12	YW52030800000	Stainless steel three way 3/8"	SUS304	
11	YW04030800300	Copper teflon pipe connector	H58	3/8"PT*3/8"H L
10	YE67001340000	Hose bulkhead	PVC	WQ6AD13-08
9	YE66001300000	Nylon hose	PA66	
8	YE67109000000	Quick hose connector	PVC	WQ01-P09B
7	BH90115000050	High temperature tester		E60
6	YW62051000100	Cross recessed raised countersunk head screw M5x10	Q235A	JIS1111
5	STM-2440PW-B-01	Heating tank		
4	STM-2440PW-B-02	Return water pipe expansion tank		
3	YW04010200200	terlon pipe connection	H58	
2	YW09003800500	Signal water level probe*	Q235A	
1	YW05141200000	Safety valve	SUS304	

NO.	Code	Name	Qty	Remark
版号	A	标题 STM-2440PW Internal Structure Diagram 1	STM-2440PW-B-ALL	比例 1:8 数量 1
核准				表面要求
日期	20181227			物料号

制图		日期	
设计		更改人	
校对		更改后	
审核		更改前	



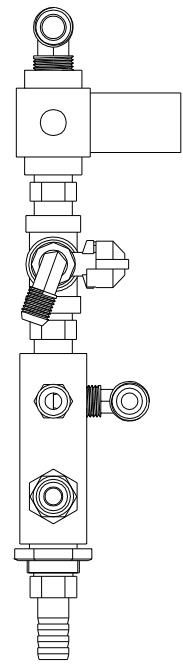
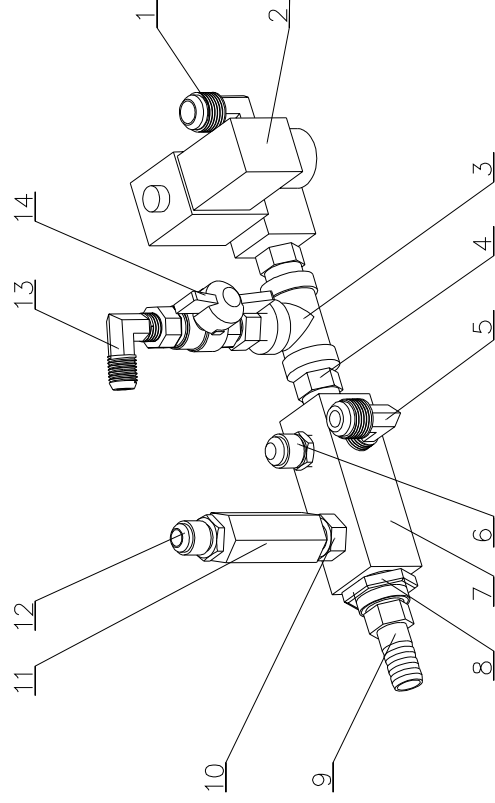
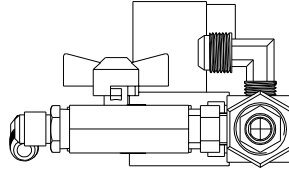
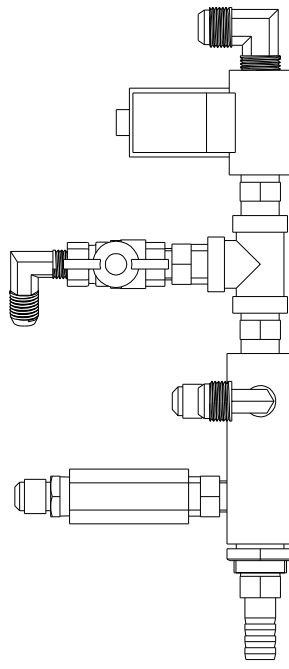


15	S-08	Pipe coupler	H58	1	1/4"PT*1/4"PT
14	BH12010400410	Copper teflon connector	H58	2	1/4"H*1/4"PT
13	YW04030800100	Pipe coupler	H62	1	3/8"PT(L)
12	YE32382400000	Solenoid valve 24V	H58	1	3/8PT (开灵)
11	S-07	Copper pipe coupler	H62	1	3/8"PT × 3/8"PT
10	BH120308000610	Tonflon pipe male thread connector	H58	1	3/8"PT*3/8"H
9	YW040308000600	Copper teflon connector	H58	1	3/8"PT*3/8"H L
8	YW520308000000	Stainless steel three way 3/8"	SUS304	1	
7	YW041212000000	Copper teflon connector	H62	1	1/2PT*1/2HL型
6	YW59001201300	One-way valve 3/8"VITON	Cu	1	RB
5	S-205	Copper pipe coupler	H58	1	1/2"PT*3/4"PT
4	STM-607PW-D-02	Pagoda 7mm*1/4	H58	2	借用
3	YW520104000000	Stainless steel three way 1/4"	SUS304	2	1/4"
2	YW040104000200	Transform elbow	H58	1	1/4"PT*3/8"PT L
1	STM-2440PW-B-03/01	Water filling connector		1	焊接件

标题	代 号	名 称	材 料	数 量	备 注
STM-2440PW	STM-2440PW-B-03	Water Filling Connector Assembly and Parts List		1	
制图	设计	校对	审核	日期	更改人
比例	1:4	数量	1	表面要求	物料号



日期 20180503



NO.	Code	Name	Texture	Qty.	Remark
14	YY60001430000	Butterfly ball valve 1/4" PT copper	Cu	1	
13	YW04010400400	Tonflon pipe male thread elbow	H62	1	1/4"H*1/4"PT L
12	BH12030800610	Tonflon pipe male thread connector	H62	1	3/8"PT*3/8"H
11	YW59383400000	One-way valve 3/8"	Q235A	1	3/8" (SUS304)
10	S-50	Copper pipe coupler	H58	2	3/8"PT*1/4"PT
9	S-85	Copper inserted core	H58	1	3/8"PT*直径13
8	S-136	Universal copper nut	H58	1	牙型M22*1.5
7	STM-2440PW-B-04/01	Water drain connector	H58	1	
6	S-81	Tonflon pipe male thread connector	H58	1	1/4"PT*3/8"H
5	YW04030800400	Copper teflon connector	H58	1	1/4"PT*3/8"H L
4	S-07	Solenoid valve	H58	2	3/8"PTx3/8"PT
3	YW52030800000	Stainless steel three way 3/8"	SUS304	1	
2	YE32203000900	Solenoid valve		1	3/8" 亚德客24VAC
1	YW04030800600	Copper teflon connector	H58	1	3/8"PT*3/8"H L
STM-2440PW-B-04					
Drainage Connector Assembly and Parts List					
STM-2440PW-B-04					
比例 1:3					数量 1
表面要求					材质
物料号					

标题	STM-2440PW	图号	STM-2440PW-B-04
版号	0	核准	
制图		设计	
		校对	
		审核	
标记	更改前	更改后	更改人
		日期	20180503

SHINI
信易电热机械股份有限公司
Shini Plastics Technologies, Inc.

