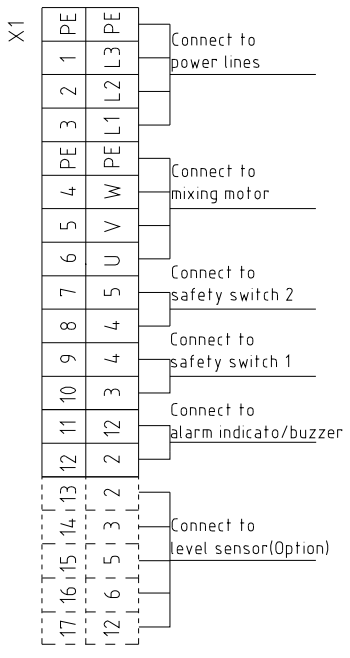
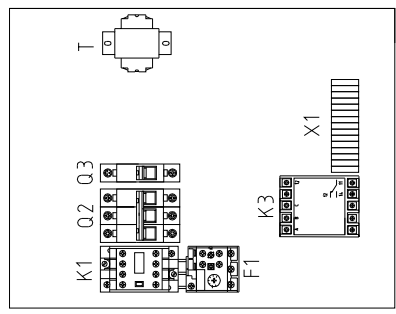
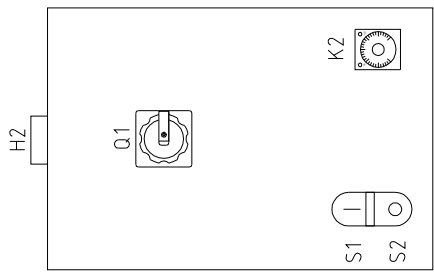


SVM-160U 机型版本: Ver.E
SVM-300U 机型版本: Ver.D

1	2	3	4	5	6	7	8	
Title			Version		E		Drawing NO	
SVM-160U/300U							SVM-160U-10000U-CE-400V-E-1	
Circuit Diagram			Designer		Proofread by		Standard	
			Approved by		Checked by		CE	
			Date		Modify date		Scale	
			20180720				Page 1	
							Totally 9 Pages	
Mark			Before modification		After modification		Voltage	
							400V	
							Frequency	
							50HZ	
							8	



1 2 3 4 5 6 7 8

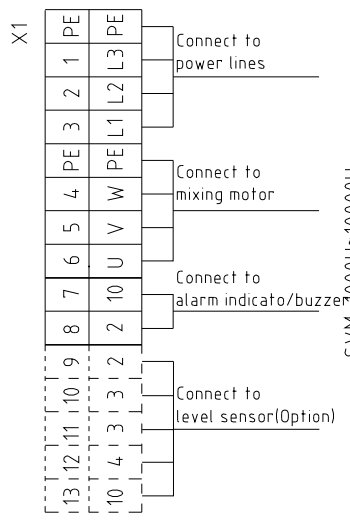
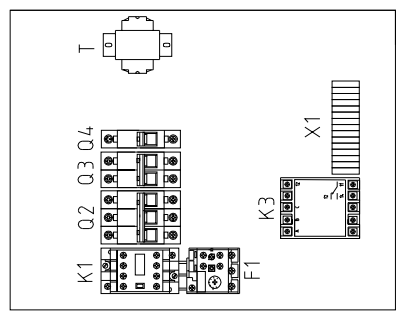
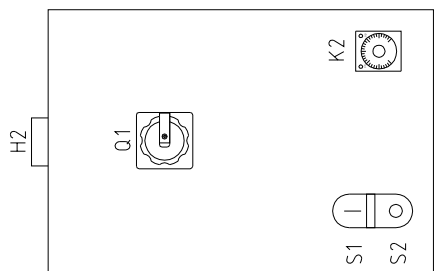


SVM-160U~300U

SVM-160U 机型版本: Ver E
SVM-300U 机型版本: Ver D

D	Mark	Before modification	Modified by	Modified date	Checked by	Proofread by	Designer	Drawer	Version	E	Title SVM-160U/300U Electrical Components Layout		Drawing NO SVM-160U-10000U-CE-400V-E-3		Scale Standard	Page 3
		After modification										CE		Totally 9	Pages 3	
												Voltage 400V		Frequency 50HZ		
											SHINI		信易电热机械股份有限公司 Shini Plastics Technologies, Inc.			
											Date 20180720					
											Approved by					
											Date		20180720			
											Checked by					
											Modified by					
											Modified date					
											Proofread by					
											Designer					
											Drawer					
											Version		E			
											Title		SVM-160U/300U		Drawing NO SVM-160U-10000U-CE-400V-E-3	
											Electrical Components Layout					
											SVM-160U~300U					
											SHINI		信易电热机械股份有限公司 Shini Plastics Technologies, Inc.			

1 2 3 4 5 6 7 8



SVM-1000U~10000U

SVM-1000U~10000U 机型版本: Ver-C

Mark	Before modification	Modified by	Modify date	Checked by	Proofread by	Designer	Drawer	Version	E	Title	SVM-1000U~10000U Electrical Components Layout	Drawing NO	SVM-160U-10000U-CE-4.00V-E-4	Scale	Standard	CE	Page	4
	After modification																Totally	9
																	Voltage	4.00V
																	Frequency	50HZ



1 2 3 4 5 6 7 8

1	2		3	4	5	6	7	8
NO	Symbol	Name	Manufacturer	Type	Specification	Number	Material number	Remark
1	Q1	Main power switch	EATON	T0-2-1/EA/SVB	20A	1	YE10021160000	
2	Q2	Circuit breaker	TECO	BM-63C /3010	10A	1	YE40301003000	
3	Q3	Circuit breaker	TECO	BM-63C/1003	3A	1	YE40100203000	A
4	K1	Contacto	SIEMENS	3RT6016-1AB01	24VAC	1	YE00601602500	
5	K2	Time relay	YUYUN	TM48S-AB	24VAC	1	YE03482400000	
6	K3	Phase sequence protector	CHAOSHI	ABJ-10W	400V	1	YE03103800000	
7	T	Transformer	JIUXIN	IN=400/415V OUT=24VAC	80VA	1	YE70040006500	
8	H2	Alarm light	SHINI	Three-color alarm lamp (red, yellow and green + buzzer)	24VDC/VAC	1	BL90000011520	
9	F1	Thermo overload relay	SIEMENS	3RU6116-1DB0	2.2-3.2A	1	YE01160220000	
10	X1	Terminal	HONEYWELL	SK2.5	2.5mm ²	12	YE60002503200	
11			HONEYWELL	SK2.5	2.5mm ²	5	YE60002503200	(2)
12			HONEYWELL	GK2.5PE	2.5mm ² PE	2	YE60002503400	
13	S1 S2	Control switch	DONGSHENG	AP88-22N(Indicator 24VAC)	600V 10A	1	YE11222400000	
14	S3 S4	Safety switch	SCHMERSRC	AZ15ZVRK-14.76-1-B3	230VAC	2	YE16152600100	(1)
15	M1	Motor	SIEMENS	1.1KW	400 50/60Hz	1	----	(1)
16	MS	Material level sensor	SIPAI	SR-80	24VAC	1	YE15802400100	(1) (2)
C								
Notes: (1)Means it's not the material inside the control box. (2)Stand for level switch option.								
SVM-160U 机型版本: Ver.E SVM-300U 机型版本: Ver.D			Title SVM-160U/300U			Drawing NO SVM-160U-100000U-CE-4.00V-E-5		
Electrical Components List			Version E			Scale Standard CE		
Designer			Approved by			Page 5		
Proofread by			Date 20180720			Totally 9 Pages		
Checked by			Date			Voltage 4.00V		
Modified by			Modify date			Frequency 50HZ		
Before modification						8		



信易电热机械股份有限公司
Shini Plastics Technologies, Inc.

